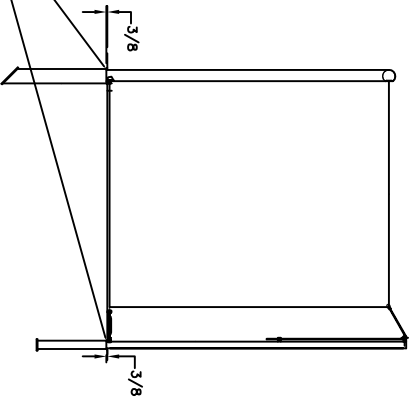


GRADE 3/8" ABOVE THE TOP EDGES  
OF ALL GROUND SLEEVES



**UCSS** 800-526-4856 www.ucsspirit.com

511 HOFFMAN RD.  
LINCOLNTON, N.C. 28092

UNLESS OTHERWISE SPECIFIED  
DIMENSIONS ARE IN INCHES  
TOLERANCES UNLESS NOTED:  
2 PLACES ±0.010  
3 PLACES ±0.008  
FRACTIONAL ±1/64  
MILL:

CONTRACT NO.	DATE	APPROVALS	TITLE
	4-27-05	DRAWN BY	PERMANENT SOCCER GOAL
		CHECKED	WITH STAY CABLE PSGCS
		ENGINEER	
		CHECKED	

PROTECTIVE FINISH: \_\_\_\_\_

SIZE:  D  E  F  G  H  I  J  K  L  M  N  O  P  Q  R  S  T  U  V  W  X  Y  Z

SCALE: NONE

DWG NO. 900-8025 REV. \_\_\_\_\_

SHEET 1 OF 1