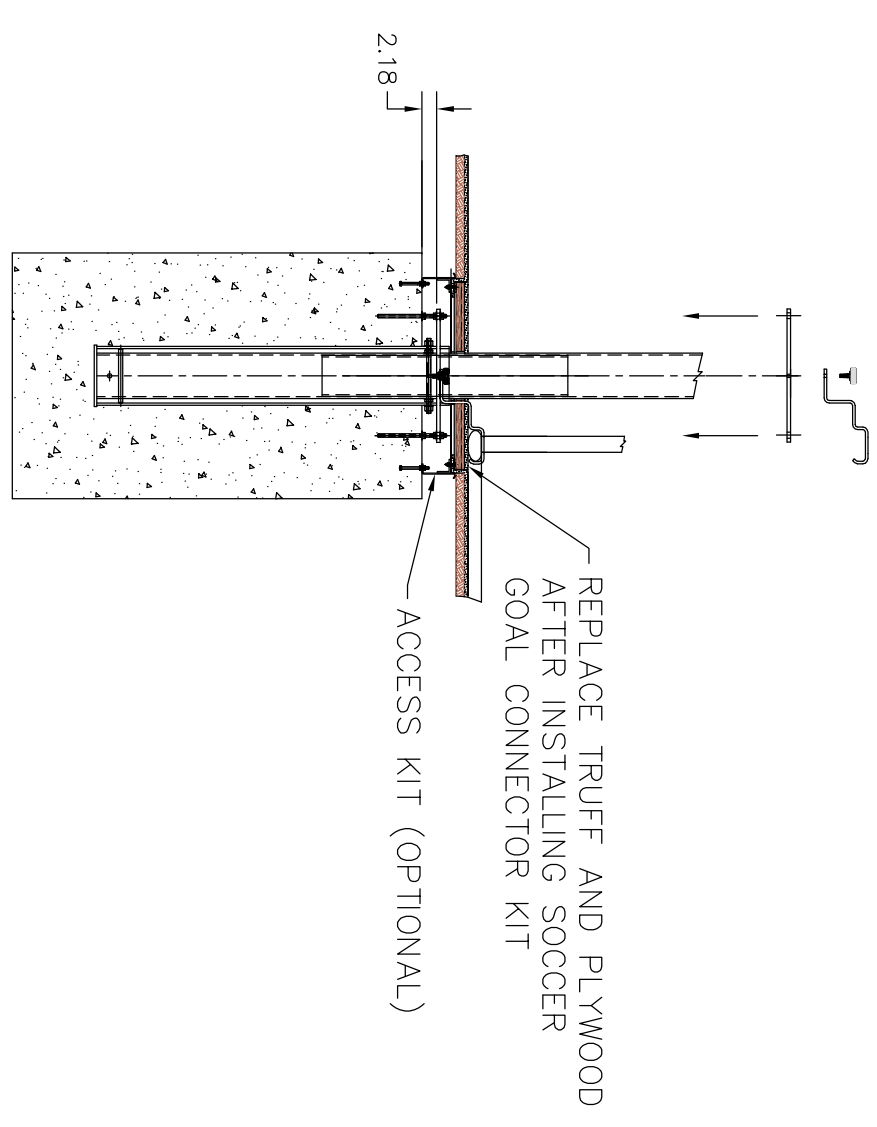
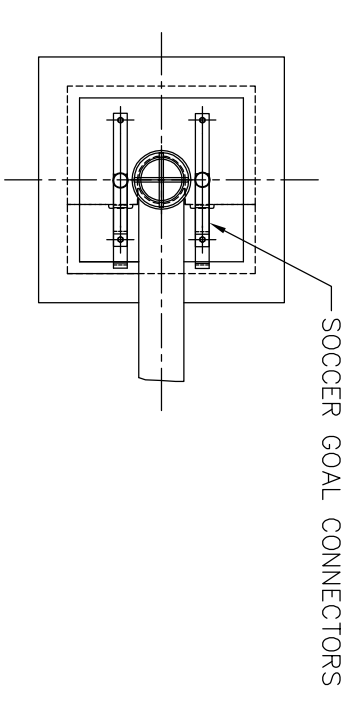
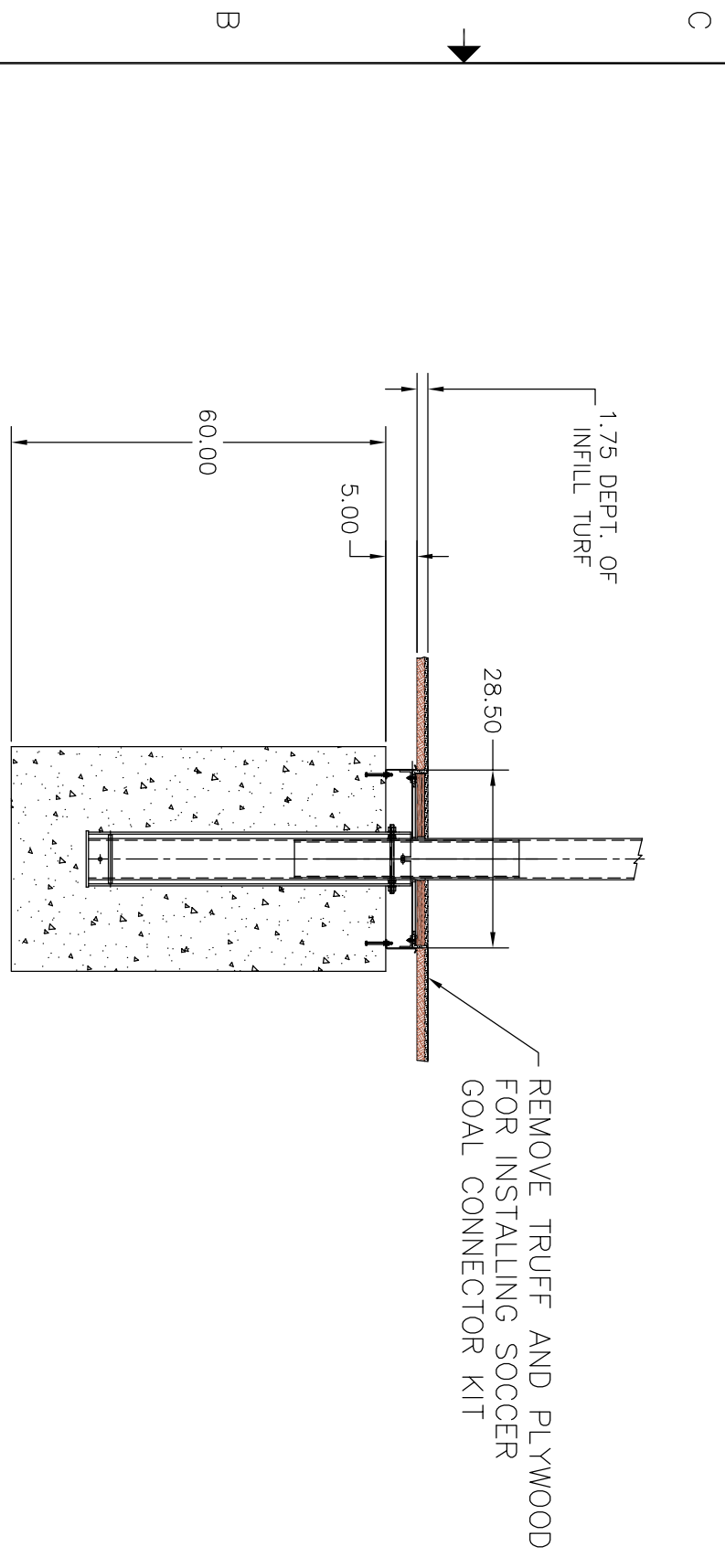
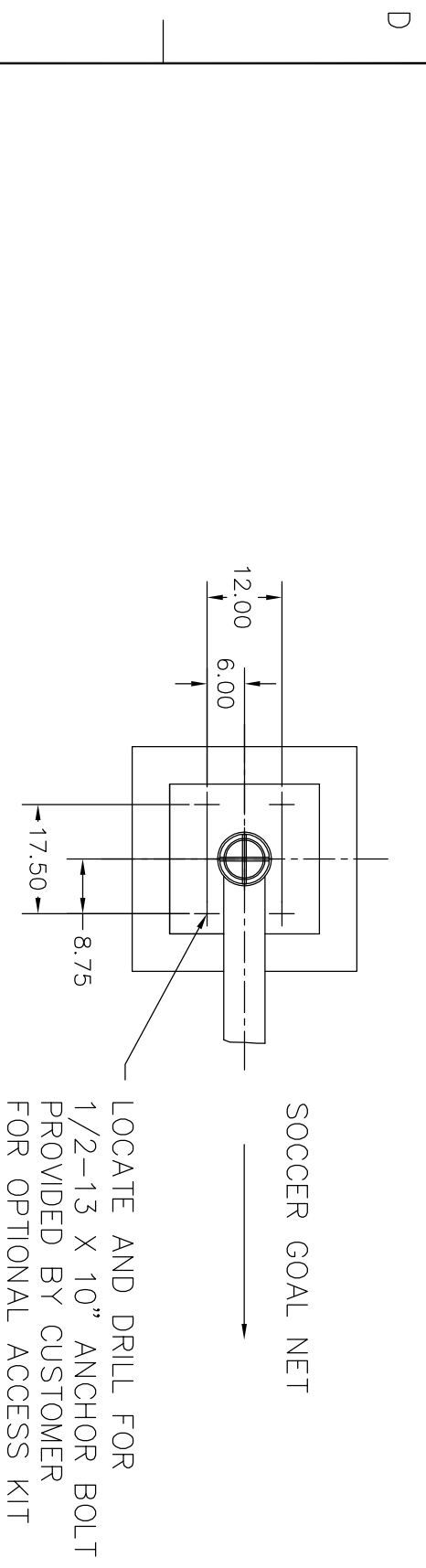


ZONE	REV	DESCRIPTION	DATE	APPROVED



OPTIONAL ACCESS KIT HARDWARE

DESCRIPTION	QTY.
1/2-13 X 10 ANCHOR	4
1/2-13 HEX HEAD NUTS	12
1/2-13 WASHER	12

This drawing contains information proprietary to UCS Inc., any reproduction disclosure or use of this drawing is EXPRESSLY PROHIBITED unless agreed in writing by UCS Inc.



800-526-4856 www.ucsspirit.com

UNLESS OTHERWISE SPECIFIED		JOB NO.	
DIMENSIONS ARE IN INCHES		511 HOFFMAN RD.	
LINEAR TOL: ±.062		LINCOLNTON N.C. 28092	
ANGULAR TOL: ± 1/2°			
1 PLACE ±.062		APPROVALS	DATE
2 PLACES ±.031		DRAWN D. Keaton	6-12-07
3 PLACES ±.010		CHECKED	
MATERIAL:		TITLE	
		SOCCER GOAL	
		CONNECTOR LAYOUT	
		GROUND SLEEVE SYSTEM	
PROTECTIVE FINISH:		SIZE	DWG NO.
		D	751-2100
		SCALE	NONE
		SHEET 1 OF 1	