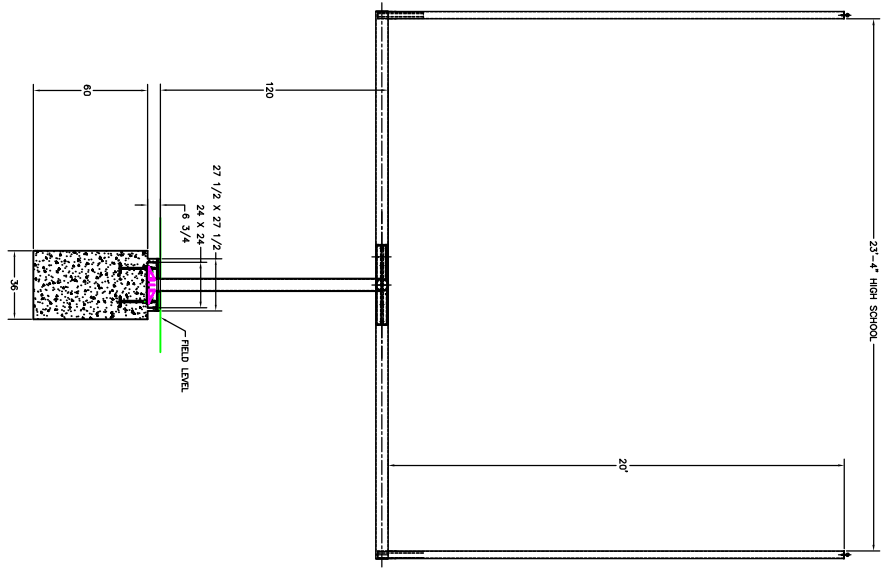
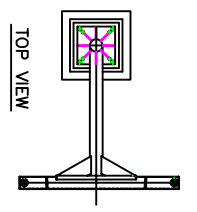
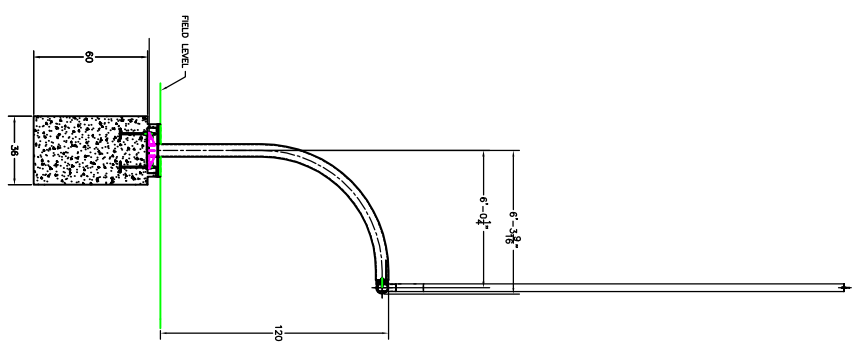


ZONE	REV	DESCRIPTION	DATE	APPROVED
8				
7				
6				
5				
4				
3				
2				
1				

NOTES:
 1. WHEN INSTALLING CROSS BAR TAPPED HOLES FOR HARDWARE TO BE AT BACK OF GOAL POST



This drawing contains information proprietary to UCS Inc. The use of this drawing is EXPRESSLY PROHIBITED unless agreed in writing by UCS Inc.

UNLESS OTHERWISE SPECIFIED: DIMENSIONS ARE IN INCHES		JOB NO.	
FINISH	PROTECTIVE FINISH:	TITLE	
1. GALVANNEAL		GOAL POST ASSEMBLY	
2. POLYURETHANE		OFFSET 6' HIGH SCHOOL	
3. ENAMEL		OWNER NO. 751-1120	
4. PAINT		SHEET 1 OF 1	
5. OTHER		REV. A	
UNLESS OTHERWISE SPECIFIED: DIMENSIONS ARE IN INCHES		JOB NO.	
FINISH	PROTECTIVE FINISH:	TITLE	
1. GALVANNEAL		GOAL POST ASSEMBLY	
2. POLYURETHANE		OFFSET 6' HIGH SCHOOL	
3. ENAMEL		OWNER NO. 751-1120	
4. PAINT		SHEET 1 OF 1	
5. OTHER		REV. A	

