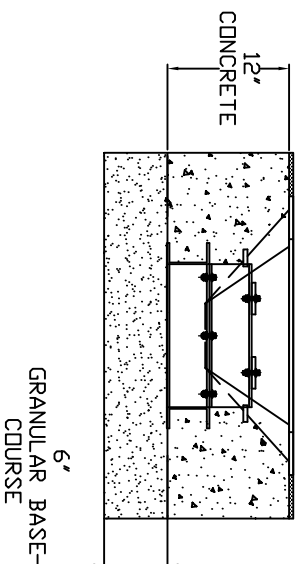
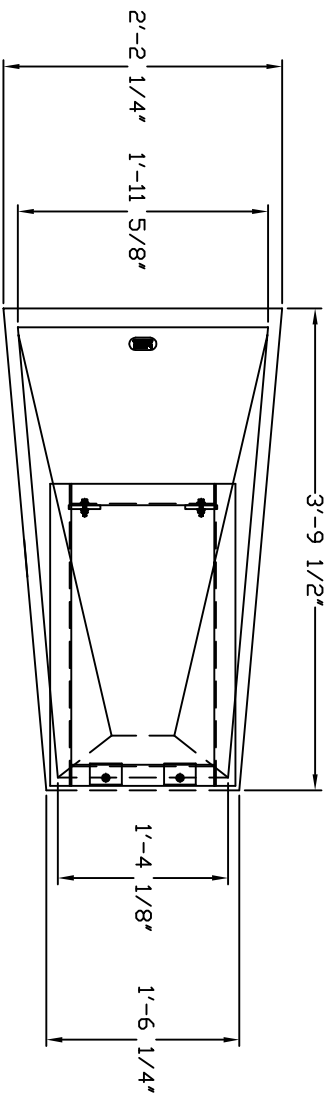
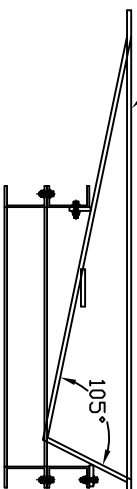
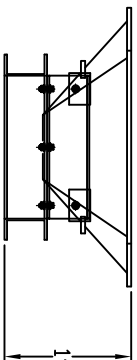
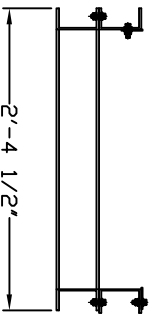
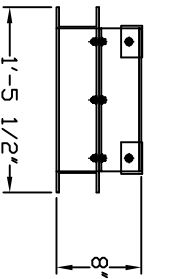


This drawing contains information proprietary to UCS Inc., any reproduction disclosure or use of this drawing is EXPRESSLY PROHIBITED unless agreed in writing by UCS Inc.



SHOWN WITH UCS MODEL 711-1100 VAULT BOX



800-526-4856

www.ucsspirit.com

UNLESS OTHERWISE SPECIFIED DIMENSIONS ARE IN INCHES LINEAR TOL: ANGULAR TOL: ± 1/16" ± 1/2"		CONTRACT NO.	
MATERIAL:		APPROVALS	
PROTECTIVE FINISH:		DATE	
		DRAWN D. KEATON 10-25-05	
		CHECKED	
		ENGINEER	
		CHECKED	
TITLE		SIZE	
UCS 511 HOFFMAN RD		FILE	
LINUXLIN, NC, 28092		DWG NO.	
UCS POUR-IN-PLACE		725-2596	
ALUMINUM PV BOX		SCALE	
REV. A		SHEET 1 OF 1	