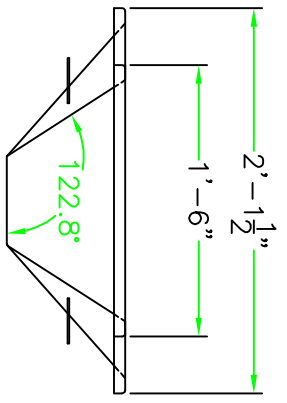
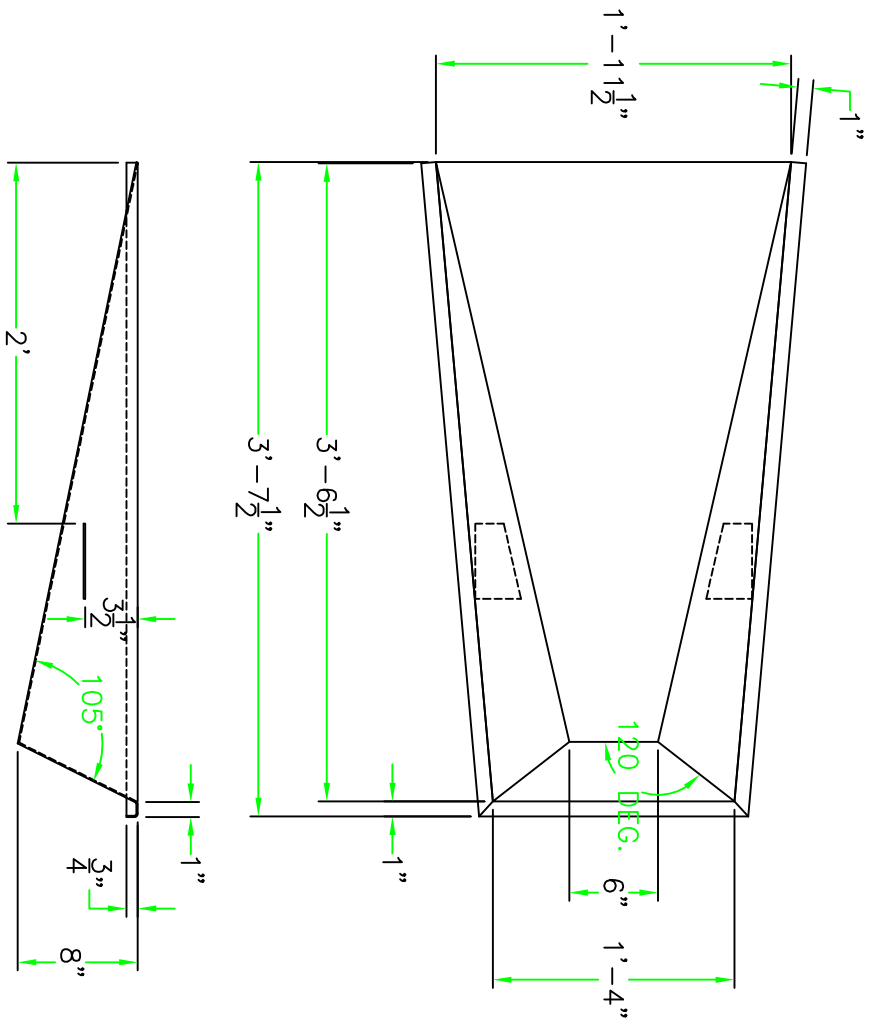


REV.	REVISION	DATE	APPROVED



This drawing contains information proprietary to UCS Inc., any reproduction or use of this drawing is EXPRESSLY PROHIBITED unless agreed in writing by UCS Inc.

**UCS** 800-526-4856 www.ucsspirit.com

511 HOFFMAN RD.  
LINCOLTON, N.C. 28092

UNLESS OTHERWISE SPECIFIED CONTRACT NO. \_\_\_\_\_  
DIMENSIONS ARE IN INCHES

DETAIL TOL. ± 1/32"	ANGULAR TOL. ± 1/2°	APPROVALS	DATE	TITLE
5 PAGES 20100	3 PAGES 20110	DRAWN L. TROM	5-13-05	STAINLESS STEEL BOX
MATERIAL STAINLESS STEEL 304 12 GAGE (0.1043")		CHECKED	SCALE	FILE
			D. PVL00-A	DWG NO. 711-1200
			SCALE NONE	SHEET 1 OF 1

REV.	REVISION	REV STATUS
1	REVISION SHEET	REV STATUS OF SHEETS

