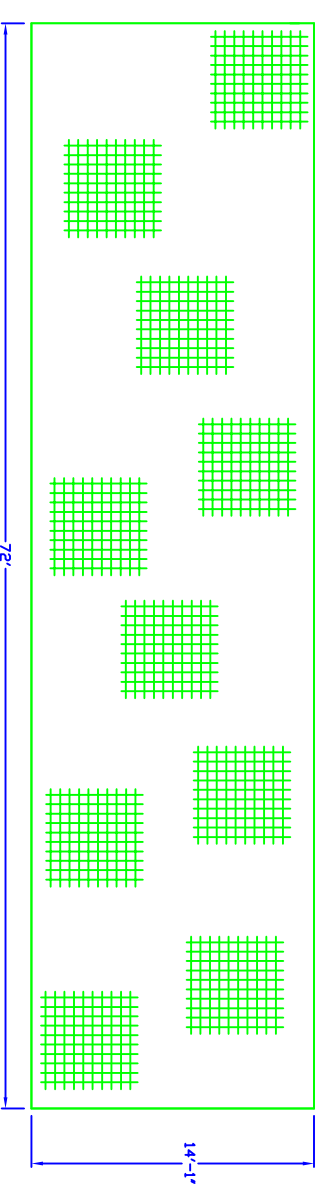
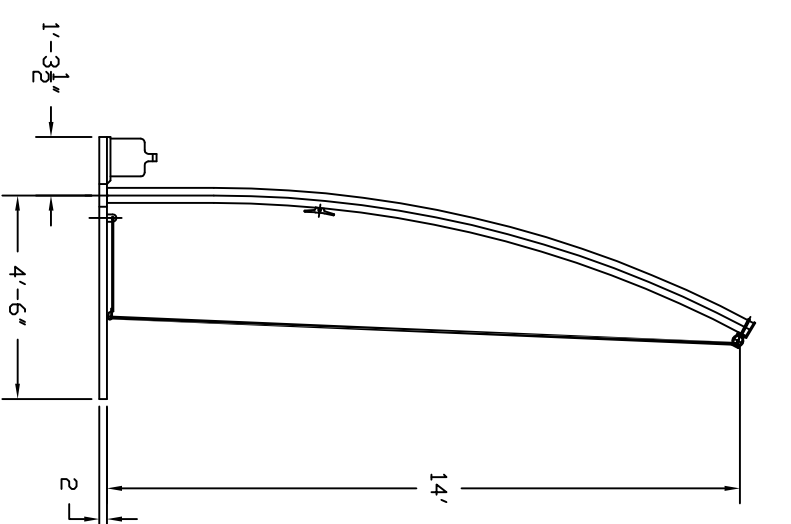
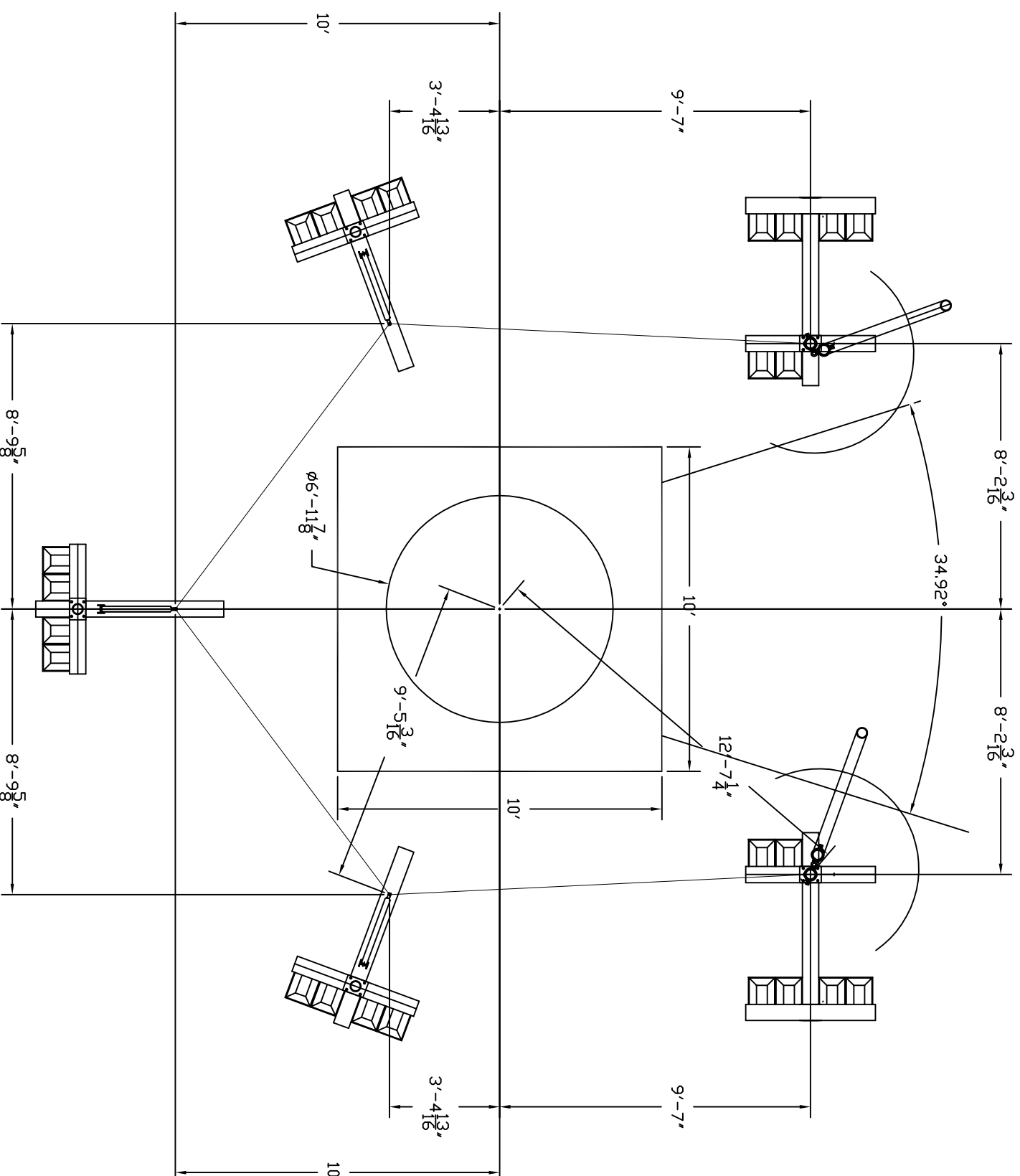


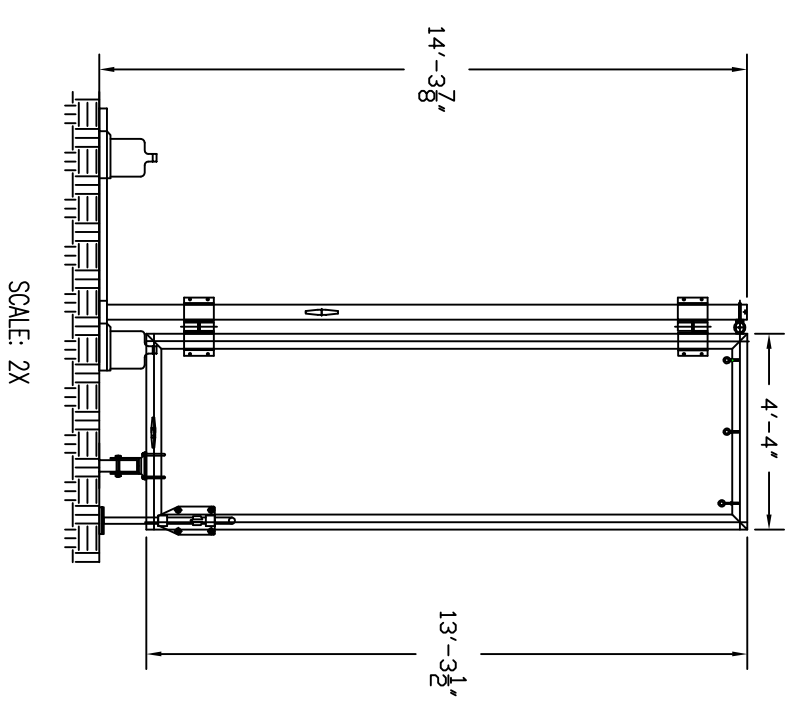
THIS PRODUCT DRAWING NOT TO BE USED FOR ASSEMBLY AND INSTALLATION



MAIN NET LAYOUT
P\N 570-6208



SCALE: 2X



SCALE: 2X

UCS

800-526-4856 www.ucsspirit.com

UNLESS OTHERWISE SPECIFIED:		CONTRACT NO.	
DIMENSIONS ARE IN INCHES		511 HOFFMAN RD.	
FRACTIONAL TOL: ANGULAR TOL:		LINCOLNTON, N.C. 28092	
± 1/4	± 0.5°	APPROVALS	TITLE
MATERIAL		DRAWN K. ARSELOW	DATE 3/3/00
		ENGINEER	570-6200R NCAA CAGE
		CHECKED	FOR WEIGHT THROW
		SIZE	SELF STANDING
		CAGE CODE	DWG NO.
		CAGE CODE	570-6200R ASSEMBLY DRAWING
		SCALE	REV.
			R
			SHEET 1 OF 1

This drawing contains information proprietary to UCS Inc., any reproduction disclosure or use of this drawing is EXPRESSLY PROHIBITED unless agreed in writing by UCS Inc.