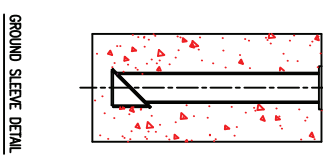
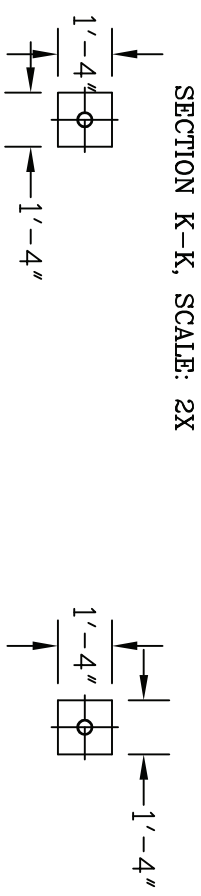
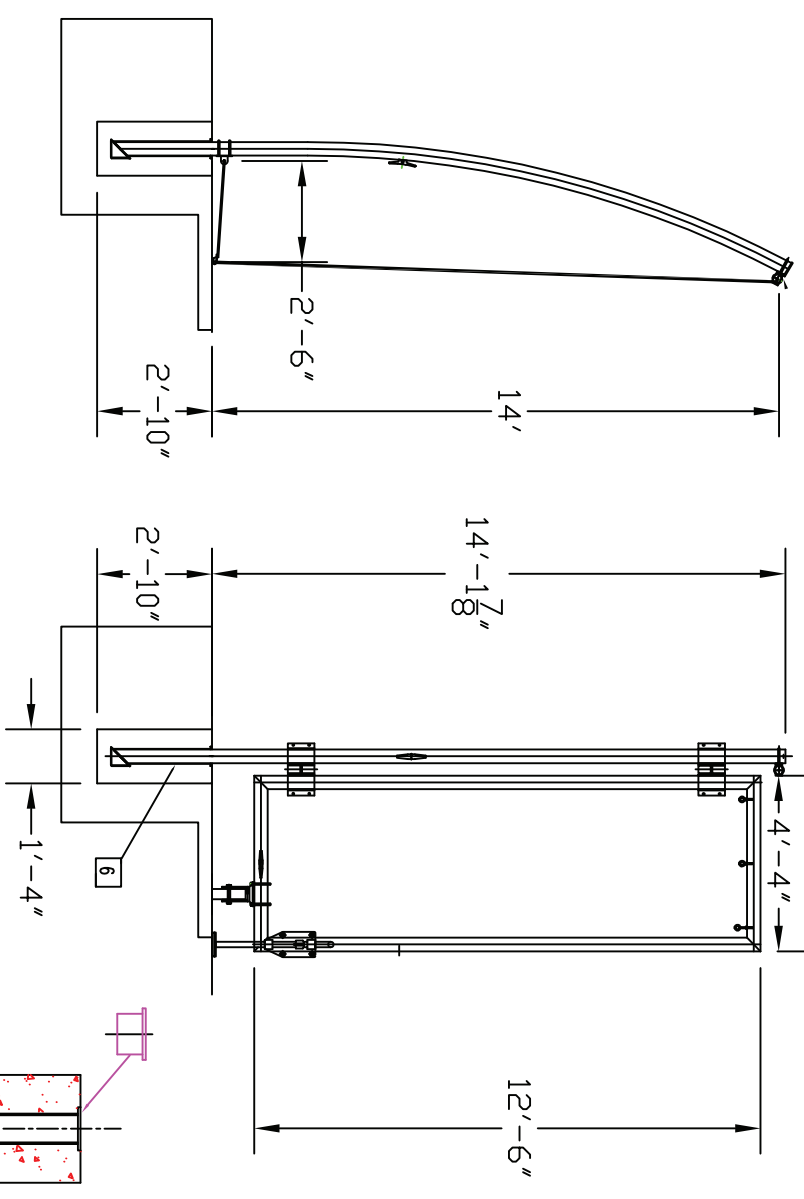
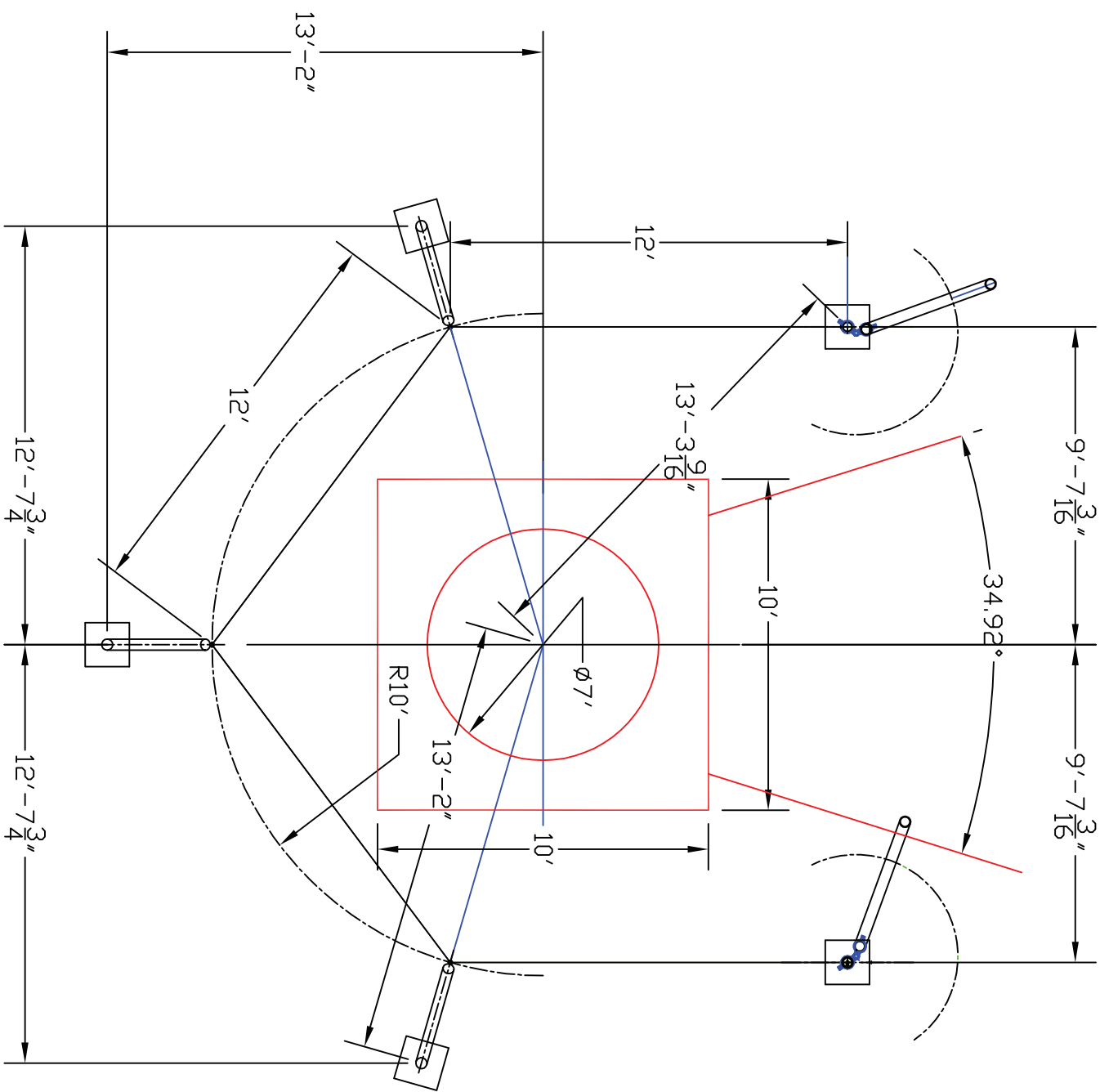


THIS PRODUCT DRAWING NOT TO BE USED FOR ASSEMBLY AND INSTALLATION



This drawing contains information proprietary to UCS Inc., any reproduction disclosure or use of this drawing is EXPRESSLY PROHIBITED unless agreed in writing by UCS Inc.

UCS		5111 HOFFMAN RD.	
800-526-4856		WWW.UCSSPINT.COM	
UNLESS OTHERWISE SPECIFIED	CONTRACT NO.	DATE	TITLE
DIMENSIONS ARE IN INCHES			INDOOR CAGE FOR WEIGHT THROW
FRACTIONS, TO: ANGULAR TO:	APPROVALS		
1/4"	DESIGNED BY		
2:05	CHECKED BY		
	ENGINEER		
	CHECKED		
	SIZE DATE CODE		
	DWG NO.		
	500-0000 ASSEMBLY DRAWING		
	SCALE: 1:1		
	SHEET 1 OF 1		