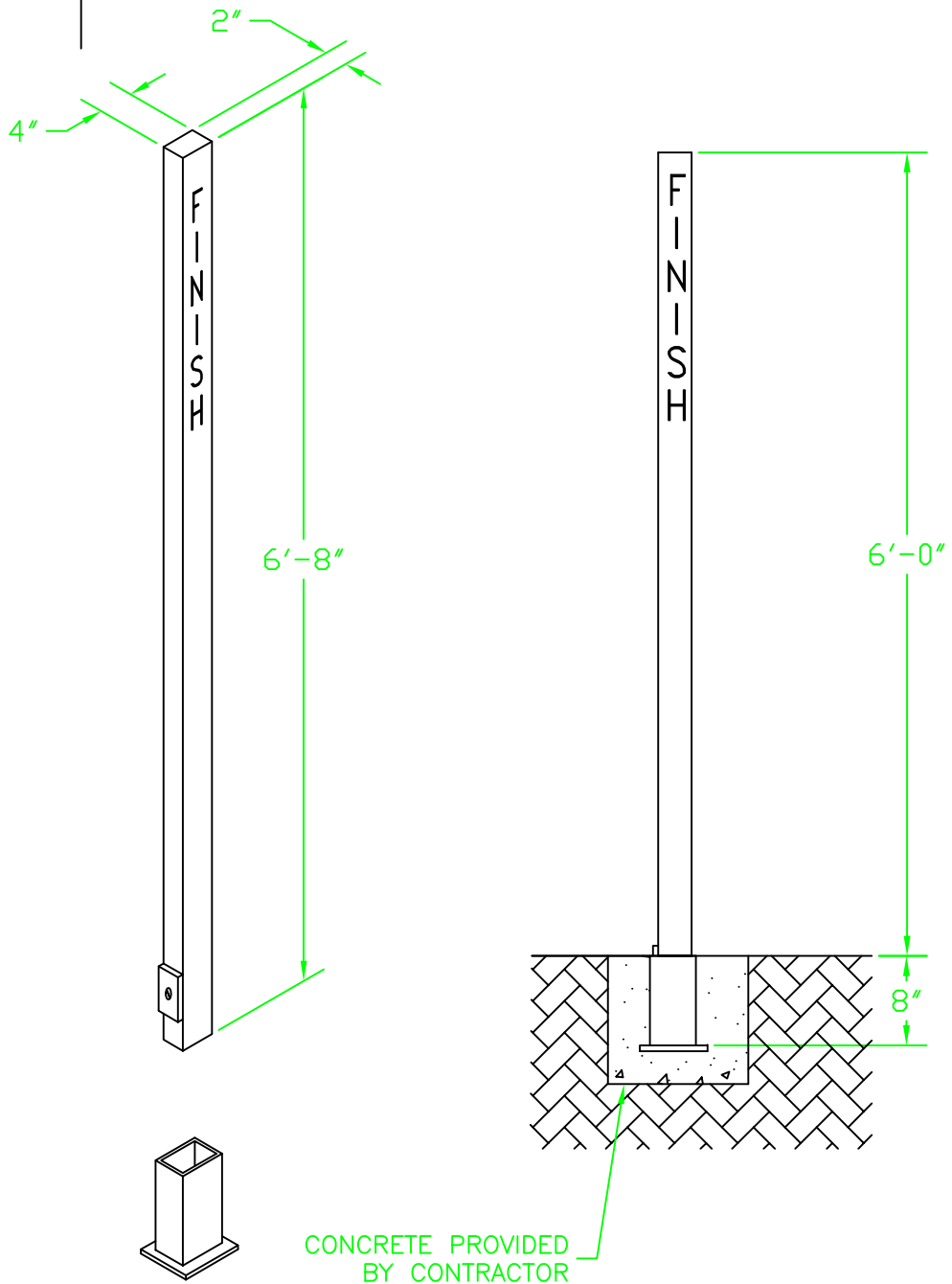


REVISIONS				
ZONE	REV	DESCRIPTION	DATE	APPROVED



800-526-4856

www.ucsspirit.com

UNLESS OTHERWISE SPECIFIED DIMENSIONS ARE IN INCHES FRACTIONAL TOL: $\pm 1/8"$ ANGULAR TOL: $\pm 1/2"$	CONTRACT NO.		UCS 511 HOFFMAN RD. LINCOLNTON, N.C. 28092	
	APPROVALS	DATE	TITLE FINISH POST WITH GROUND SLEEVE	
DRAWN L. FLOM	02-12-96	DWG NO. 524-4111		
MATERIAL: ALUMINUM	CHECKED		FILE FINISH	REV
	ENGINEER			—
	CHECKED		SCALE	SHEET 1 OF 1