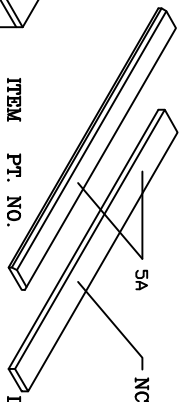


UCS OLYMPIC LONG JUMP/TRIPLE JUMP TAKEOFF SYSTEM INSTALLATION INSTRUCTIONS

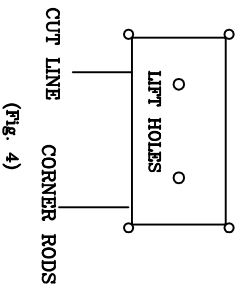
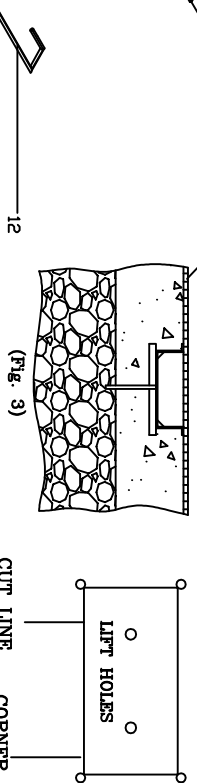
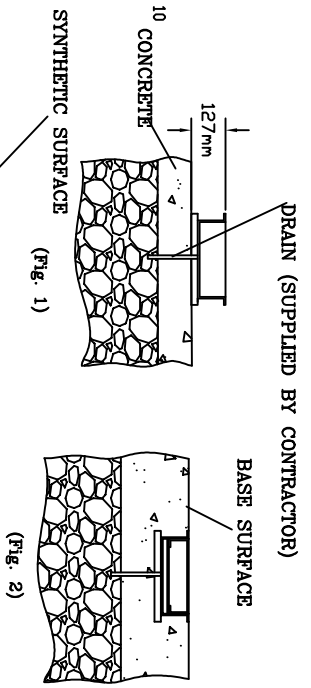
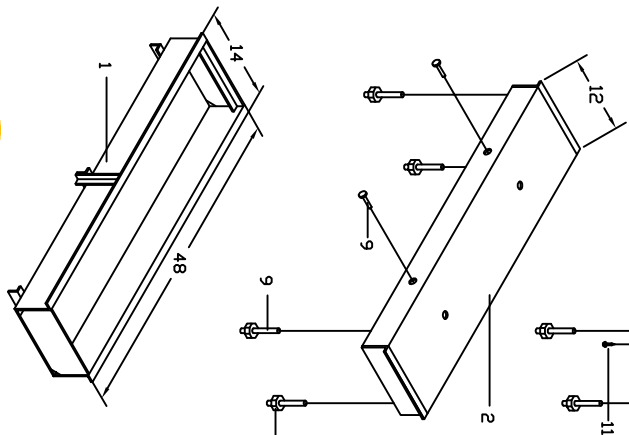
NOTE: A PVC drain should be supplied and installed by the contractor when installing the foundation tray.

1. Base of foundation tray should rest on a level concrete surface which is located 127mm below top of base surface and foundation tray. (fig. 1)
2. Lip of foundation tray should be flush with base surface. Check level and pour concrete around tray. (fig. 2)
3. Blanking lid should be prepped to accept synthetic surface. (Adhesive, acid etch, or sand to prep surface)
4. Place blanking lid into foundation tray and adjust leveling screws until lid is level and flush with top edges of foundation tray. (fig. 2)
5. Insert small 2mm dia. rod in each of the four corners of blanking lid to locate cutting lines. Rods must be vertical and extend above top of synthetic surface.
6. Insert large 19mm rod in the two lifting holes. The rods must extend above top of synthetic surface.
7. Pour synthetic surface.
8. After the surface has set use the small rods as a guide for straight edge and cut a rectangular shape to match the blanking board. Use a very sharp blade to assure a clean cut. (fig. 4)
9. Remove all rods so that the blanking lid may be lifted to install the take-off board understructure.



ITEM	PT. NO.	DESCRIPTION	QTY.
------	---------	-------------	------

1	519-B101	FOUNDATION TRAY	(1)
2	519-B102	BLANKING LID	(1)
3	519-B103	TAKE-OFF BOARD UNDERSTRUCTURE	(1)
4	519-B103A	TAKE-OFF BOARD	(2)
5	519-B104	FOUL BOARD	(2)
5A	519-B104	FOUL BOARD BEVELED FOR IAAF- OPTIONAL	(2)
6	519-B104A	FOUL BOARD BASE	(2)
7	519-B105	4LB. PKG. PLASTICINE	(2)
8	519-B106	TROWEL	(1)
9	---	ADJUSTING & LEVELING SCREWS (3/8 - 16 x 1 1/2)	(12)
10	---	NUTS, (3/18-16) FOR LEVELING SCREWS	(8)
11	---	SCREWS, WOOD, FLAT HD #6 x 1/2	(14)
12	---	HOOKS, LIFTING	(2)



IAAF Certificate No. E-99-0067

This drawing contains information proprietary to UCS Inc., any reproduction disclosure or use of this drawing is EXPRESSLY PROHIBITED unless agreed in writing by UCS Inc.

UCS		800-526-4856		www.ucsspirit.com	
UNLESS OTHERWISE SPECIFIED		CONTRACT NO.		TITLE	
DIMENSIONS ARE IN INCHES		APPROVALS		OLYMPIC LONG/TRIPLE	
DECIMAL TOL. ±.00		DATE		JUMP TAKEOFF SYSTEM	
FRACTIONAL TOL. ± 1/2		DRAWN V. AMERSON E108		JUMP TAKEOFF SYSTEM	
WFT:		CHECKED		SCALE	
PROTECTIVE FINISH:		CHECKED		D 519-2100	
				DWG. NO. 519-2100	
				SHEET 1 OF 1	