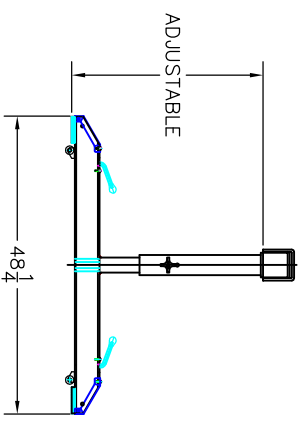
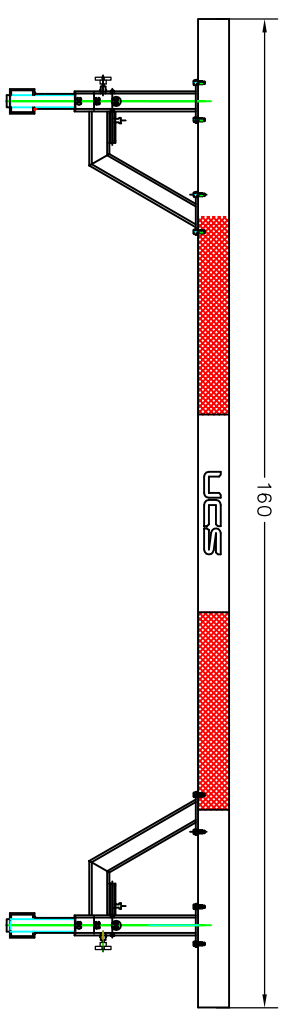



3 Barriers 4.06M (160") Long, 1 Barrier 5m (196") Long



STEEPLECHASE ADJUSTABLE HEIGHT 30" 33" 36"

This drawing contains information proprietary to UCS Inc., any reproduction disclosure or use of this drawing is EXPRESSLY PROHIBITED unless agreed in writing by UCS Inc.

		<b>800-526-4856</b> <a href="http://www.ucsspirit.com">www.ucsspirit.com</a>	
<small>UNLESS OTHERWISE SPECIFIED</small> <small>DIMENSIONS ARE IN INCHES</small> <small>LINEAR TOL: ±.002</small> <small>1 PLACE ±.002</small> <small>3 PLACES ±.010</small> <small>ANGULAR TOL: ± 1/2°</small>		<small>JOB NO.</small> <small>511 HOFFMAN RD.</small> <small>LINCOLNTON N.C. 28092</small>	
<small>MATERIAL:</small> <b>1/2" PLYWOOD</b>		<small>TITLE</small> <b>STEEPLECHASE BARRIER</b>	
<small>PROTECTIVE FINISH:</small>		<small>SCALE</small> NONE	
<small>DRAWN</small> AMTOLY <small>DATE</small> 7-21-07		<small>APPROVALS</small>	
<small>CHECKED</small> ENGINEER		<small>SIZE</small> D <small>FILE</small> — <small>DWG NO.</small> 506-5415 <small>REV.</small> —	
<small>CHECKED</small>		<small>SHEET</small> 1 OF 1	

8 7 6 5 4 3 2 1