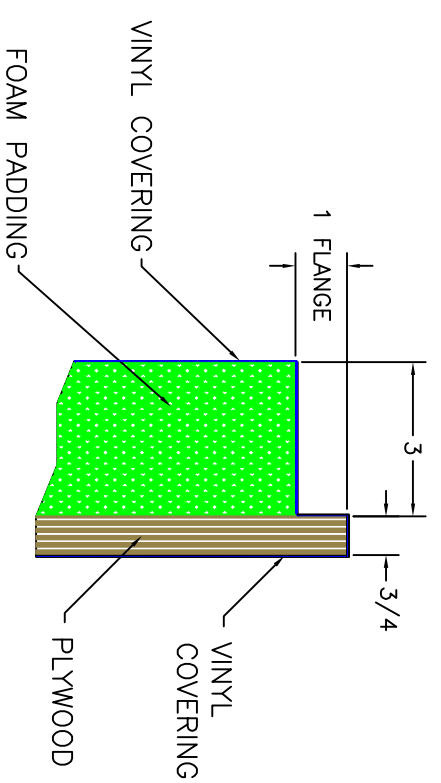
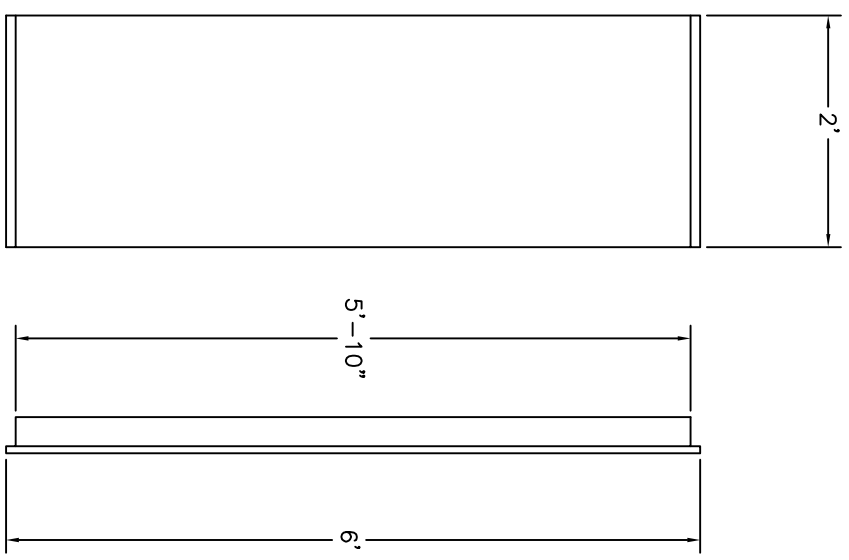


OUTDOOR STADIUM PROTECTION PANELS

PART NO.	SIZE
266-14	1' x 4'
266-15	1' x 5'
266-16	1' x 6'
266-18	1' x 8'
266-24	2' x 4'
266-25	2' x 5'
266-26	2' x 6'
266-28	2' x 8'
266-46	4' x 6'
266-48	4' x 8'

*CUSTOM SIZE PADS AVAILABLE
 **CUSTOM CUT-OUTS CAN BE MADE
 ACCORDING TO ACTUAL NEEDS

PADS CAN BE MADE
 WITHOUT 1" FLANGE



**CONSTRUCTION &
 FLANGE DETAIL**

This drawing contains information proprietary to UCS Inc., any reproduction disclosure or use of this drawing is EXPRESSLY PROHIBITED unless agreed in writing by UCS Inc.

SCALE 1:1.5
 EXAMPLE 2' X 6' PAD
 MODEL 266-26

UNLESS OTHERWISE SPECIFIED		JOB NO.	
DIMENSIONS ARE IN INCHES		APPROVALS	
1 PLACE ±.002	ANGULAR TOL. ± 1/2	DATE	TITLE
3 PLACES ±.010		ENGINEER	OUTDOOR STADIUM PROTECTION PANELS
MATERIAL:		CHECKED	DATE 8-28-07
PROTECTIVE FINISH:		SCALE	DWG. NO. 266-26
		SCALE NONE	REV.
		SHEET 1 OF 1	

UCS 511 HOFFMAN RD.
 LINCOLNTON N.C. 28092

