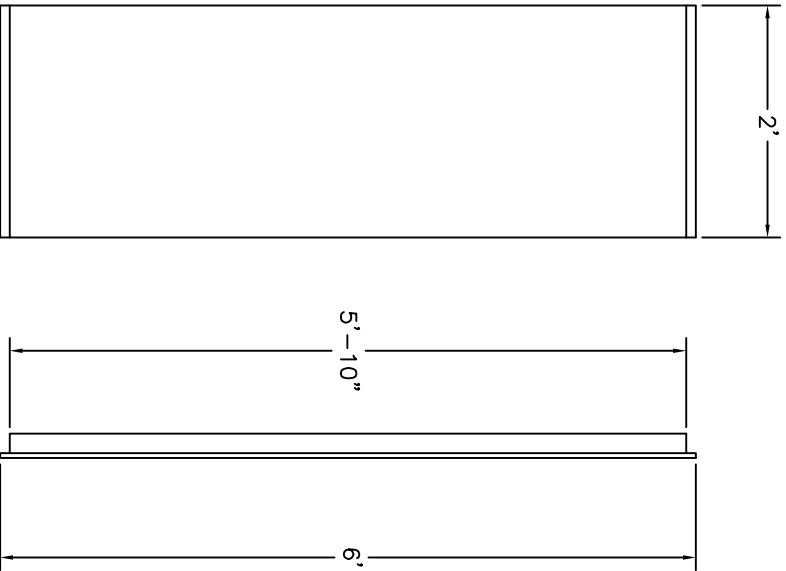


**FIRE RETARDANT WALL PANELS**  
Meets ASTM 84 Regulations

PART NO.	SIZE
265-14	1' x 4'
265-15	1' x 5'
265-16	1' x 6'
265-18	1' x 8'
265-24	2' x 4'
265-25	2' x 5'
265-26	2' x 6'
265-28	2' x 8'
265-46	4' x 6'
265-48	4' x 8'

\*CUSTOM SIZE PADS AVAILABLE  
\*\*CUSTOM CUT-OUTS CAN BE MADE  
ACCORDING TO ACTUAL NEEDS

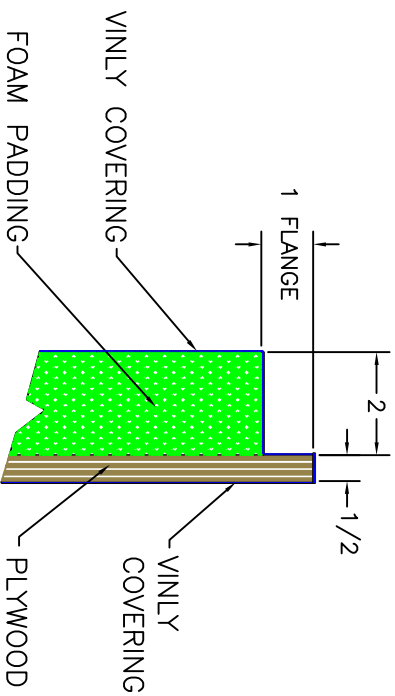
PADS CAN BE MADE  
WITHOUT 1" FLANGE



SCALE 1:1.5

EXAMPLE 2' X 6' PAD  
MODEL 260-26

**CONSTRUCTION &  
FLANGE DETAIL**



This drawing contains information proprietary  
to UCS Inc., any reproduction disclosure or  
use of this drawing is EXPRESSLY PROHIBITED  
unless agreed in writing by UCS Inc.

UNLESS OTHERWISE SPECIFIED		JOB NO.		TITLE	
LINEAR TOL: ±.012	ANGULAR TOL: ± 1/2°	511 HOFFMAN RD. LINCOLNTON N.C. 28092		INDOOR WALL PANELS FIRE RETARDANT	
1 PAGES ±.012		DRAWN: D. Keston		DATE: 8-24-07	SIZE: D
3 PAGES ±.010		CHECKED: _____			FILE: _____
MATERIAL:		ENGINEER: _____			DWG NO.: 265 Series
PROTECTIVE FINISH:		CHECKED: _____			REV: _____
		SCALE: NONE		SHEET 1 OF 1	

ZONE	REV	DESCRIPTION	DATE	APPROVED