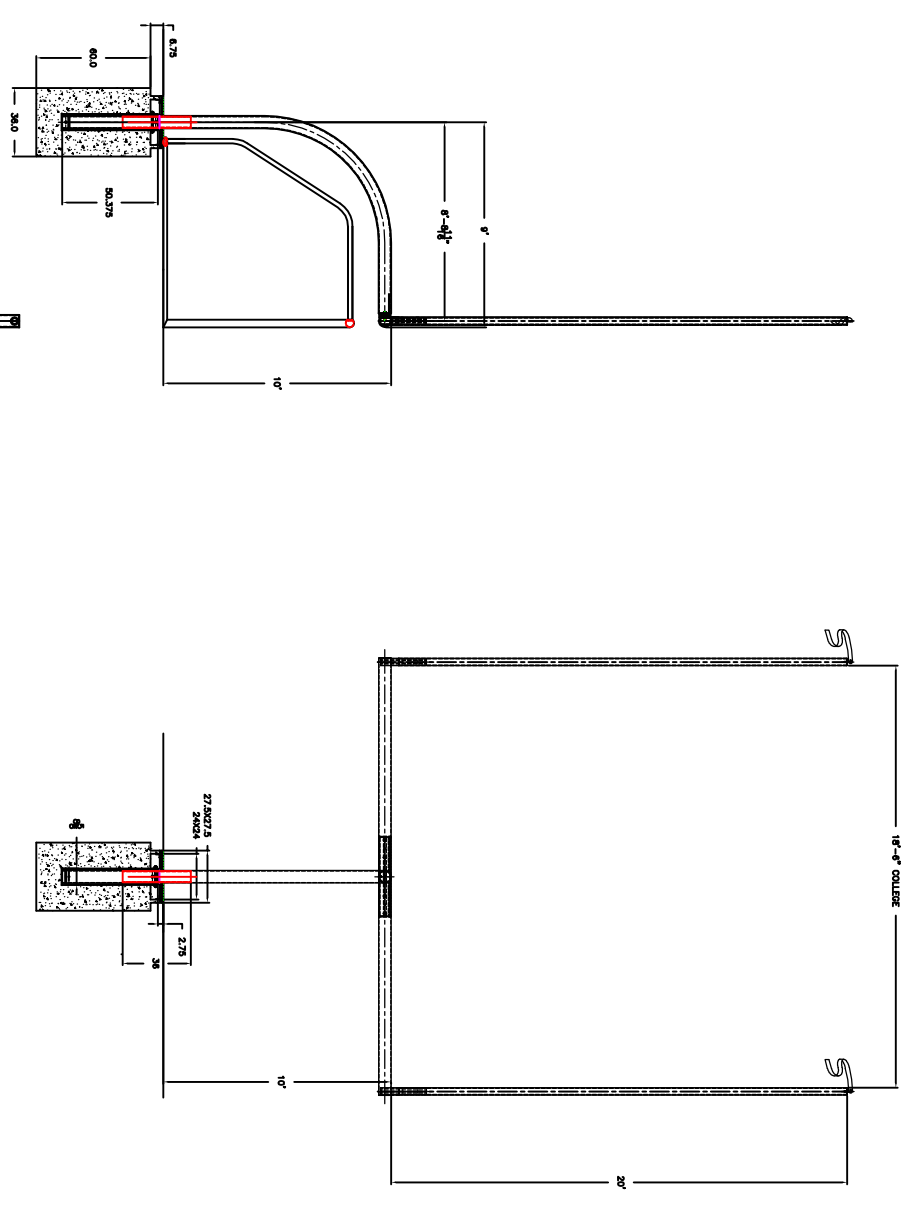


DATE	REV	DESCRIPTION	DATE	APPROVED

NOTES:
 1. WHEN INSTALLING CROSS BAR TAPPED HOLES FOR HARDWARE TO BE AT BACK OF GOAL POST



This drawing contains information proprietary to UGS Inc., any reproduction, disclosure or use of this drawing without the written consent of UGS Inc. is strictly prohibited unless agreed in writing by UGS Inc.

		800-526-4856 www.ucsspirit.com	
UNLESS OTHERWISE SPECIFIED DIMENSIONS ARE IN INCHES. LINEAR TOL: ANGLE TOL:			
MATERIAL: 1 PLACES ±.002 3 PLACES ±.010		APPROVALS DRAWN: D. Mehan 6-24-06 CHECKED: _____ ENGINEER: _____ CHECKED: _____	
PROTECTIVE FINISH: _____		TITLE: GOAL POST ASSEMBLY OFFSET 8' COLLEGE GROUND SLEEVE SYSTEM	
JOB NO.: _____		511 HOFFMAN RD. LINCOLNTON, N.C. 28092	
SIZE: D FILE: _____ SCALE: NONE		DWG. NO.: 751-7140 SHEET 1 OF 1	

