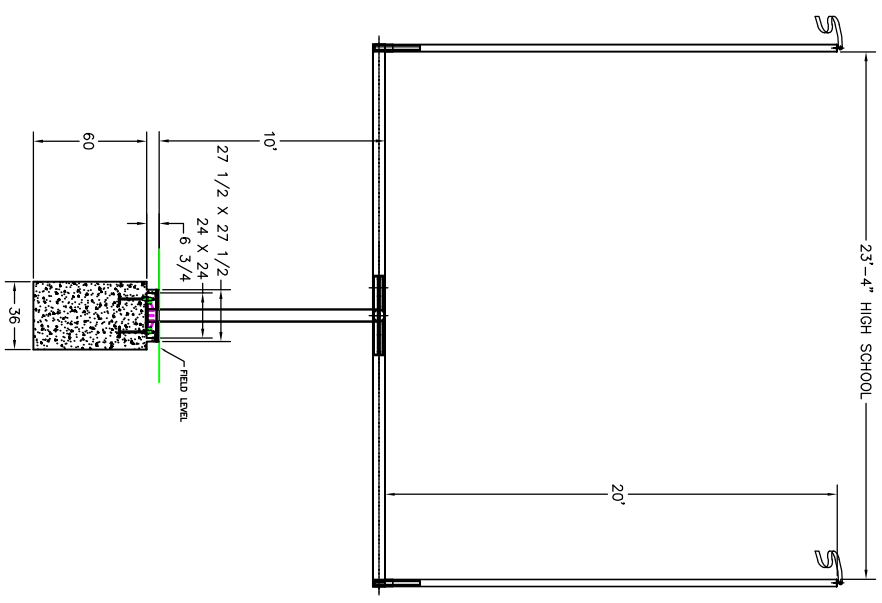
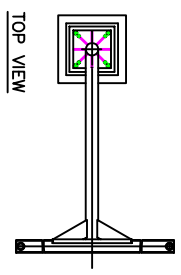
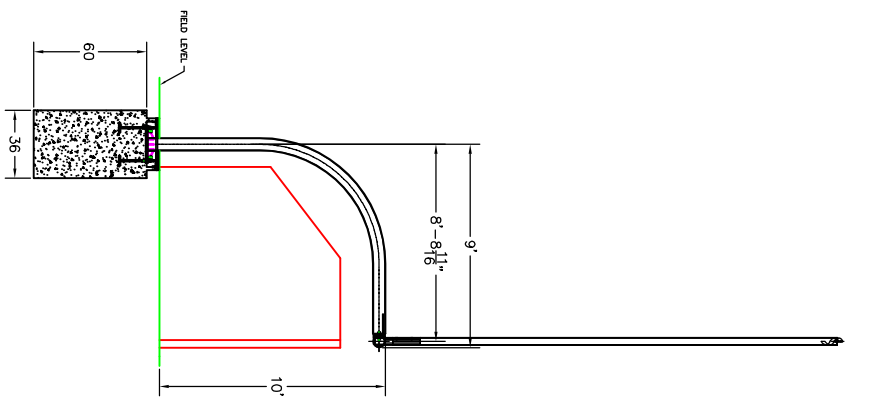


ZONE	REV	DESCRIPTION	DATE	APPROVED



This drawing contains information proprietary to UCS Inc., any reproduction, disclosure or use of this drawing is EXPRESSLY PROHIBITED unless agreed in writing by UCS Inc.



800-526-4856
www.ucsspirit.com

UNLESS OTHERWISE SPECIFIED
DIMENSIONS ARE IN INCHES
1 PACE 1/8" = 1'-0"
3 PACE 3/16" = 1'-0"
UNITS: 1/4"

JOB NO.	DATE	TITLE	SCALE
ASSEMBLY	4-1-18	GOAL POST ASSEMBLY	D
DESIGNED BY	DRWN BY	FILE	REV
ENGINEER	751-6120		A
CHECKED			
PROTECTIVE FINISH			

