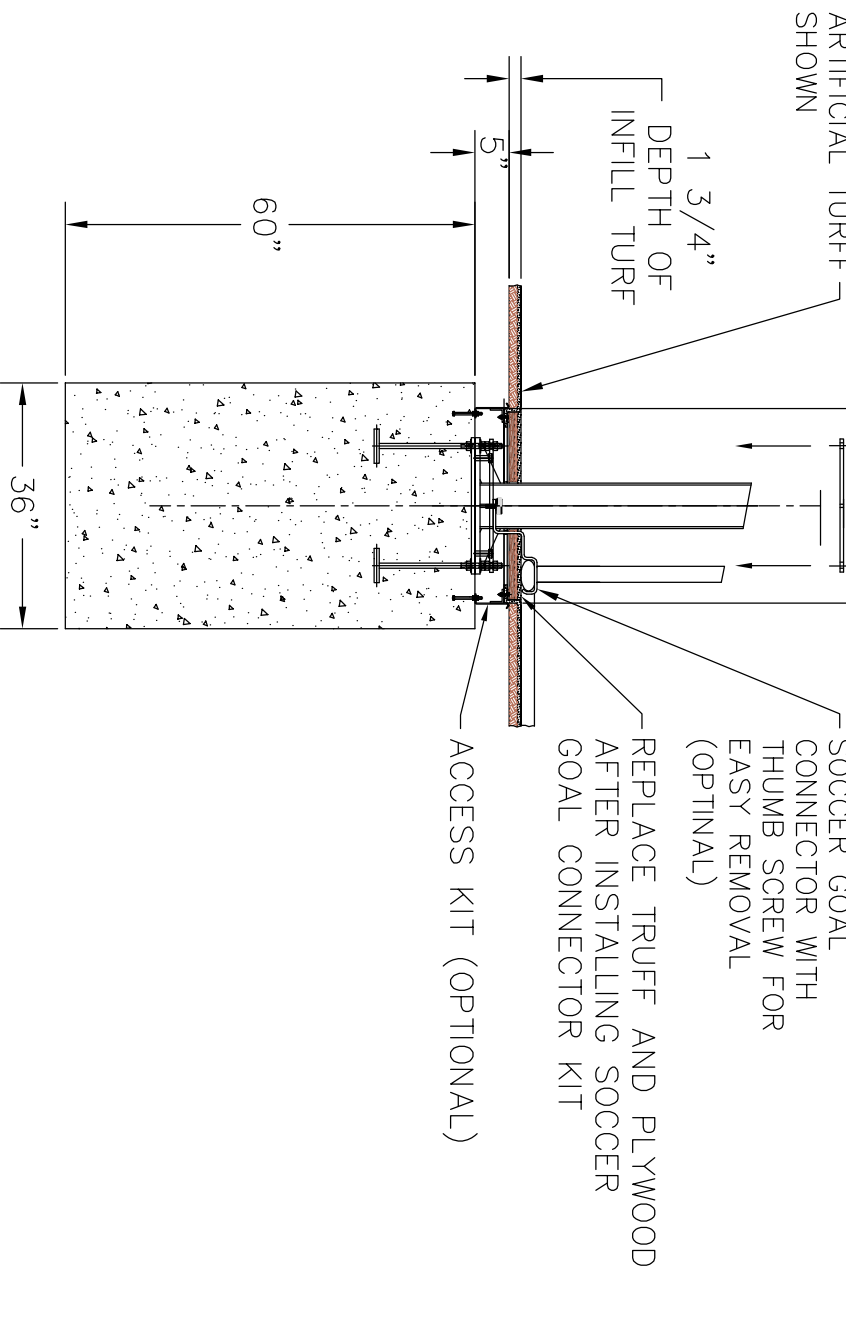
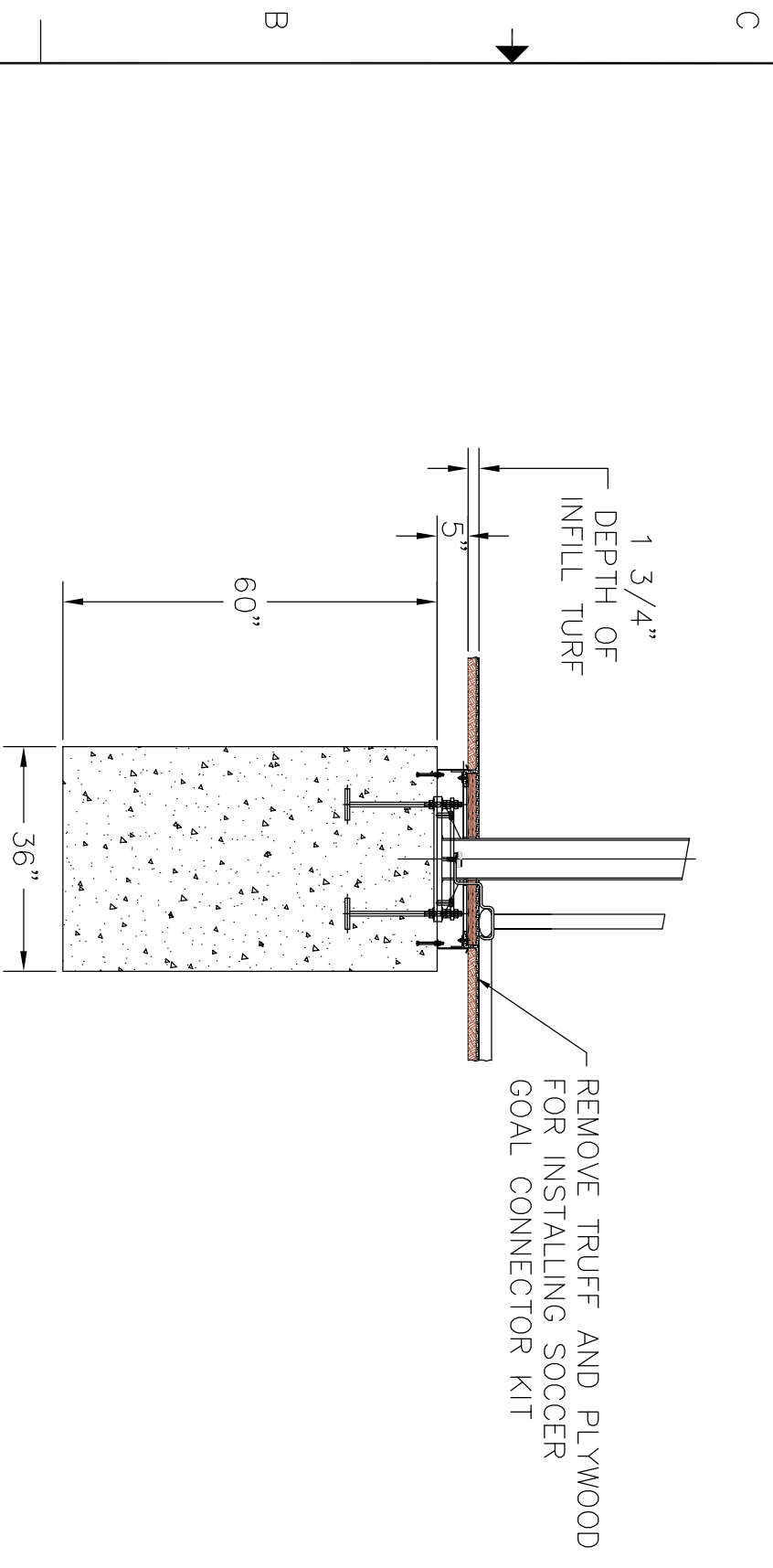
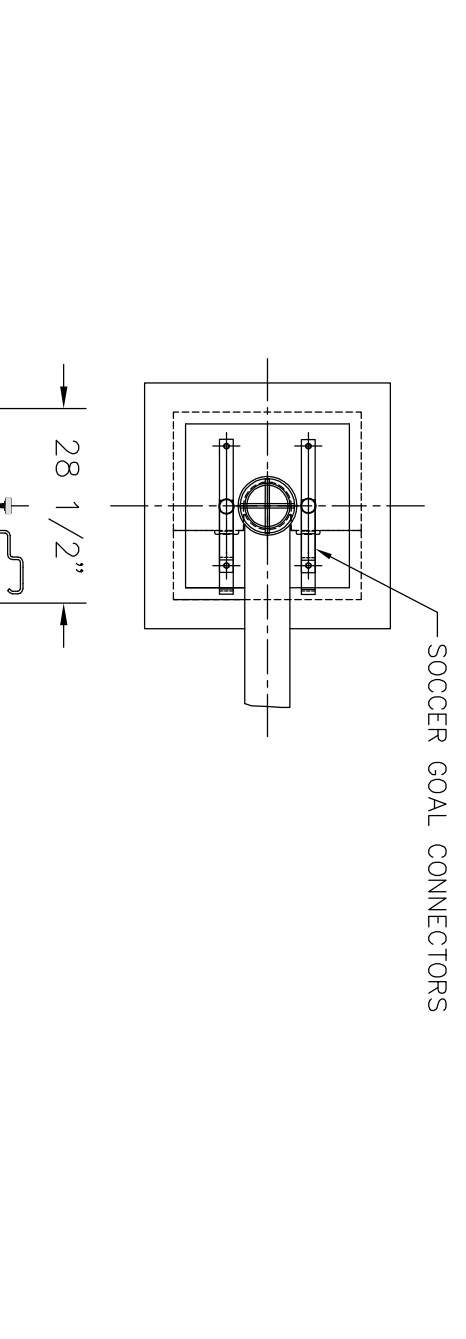
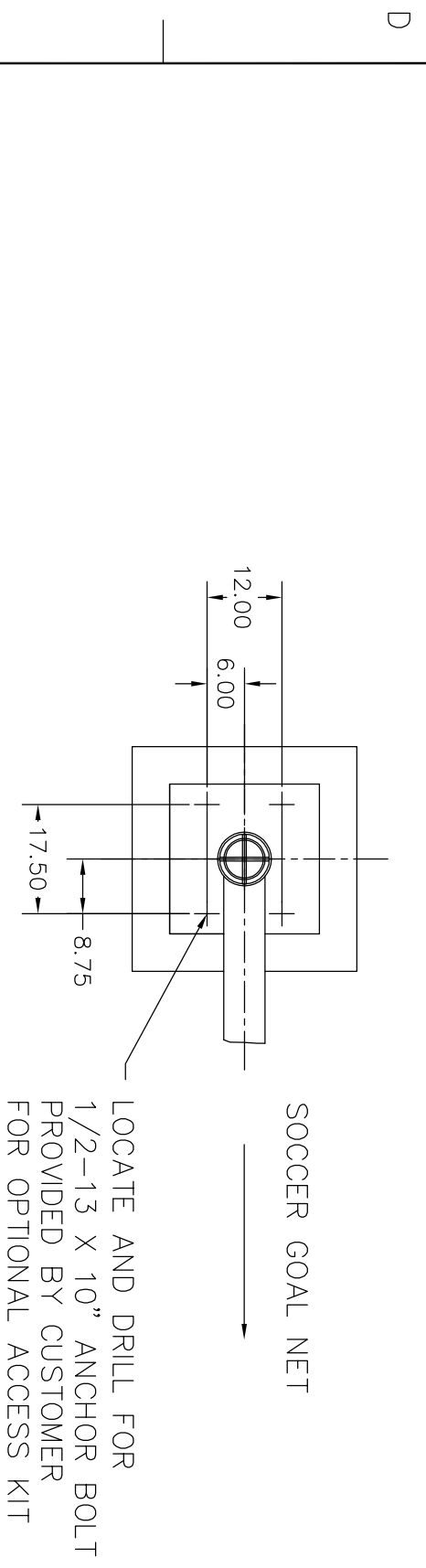


| ZONE | REV | DESCRIPTION | DATE | APPROVED |
|------|-----|-------------|------|----------|
|      |     |             |      |          |



OPTIONAL ACCESS KIT HARDWARE

| A                    | QTY, | QTY, |
|----------------------|------|------|
| 1/2-13 X 10 ANCHOR   | 4    | 4    |
| 1/2-13 HEX HEAD NUTS | 12   | 12   |
| 1/2-13 WASHER        | 12   | 12   |

This drawing contains information proprietary to UCS Inc., any reproduction disclosure or use of this drawing is EXPRESSLY PROHIBITED unless agreed in writing by UCS Inc.



800-526-4856 www.ucsspirit.com

|                            |                     |                              |         |
|----------------------------|---------------------|------------------------------|---------|
| UNLESS OTHERWISE SPECIFIED |                     | JOB NO.                      |         |
| DIMENSIONS ARE IN INCHES   |                     | 511 HOFFMAN RD.              |         |
| LINEAR TOL: ±.062          | ANGULAR TOL: ± 1/2° | LINCOLNTON N.C. 28092        |         |
| 1 PLACE ±.062              |                     | APPROVALS                    | DATE    |
| 2 PLACES ±.031             |                     | DRAWN D. Keaton              | 6-12-07 |
| 3 PLACES ±.010             |                     | CHECKED                      |         |
| MATERIAL:                  |                     | TITLE                        |         |
| PROTECTIVE FINISH:         |                     | SOCCER GOAL CONNECTOR LAYOUT |         |
|                            |                     | HINGE SYSTEM                 |         |
| SIZE D                     | FILE                | DWG NO.                      | REV.    |
| SCALE NONE                 |                     | 751-2000                     |         |
| SHEET 1 OF 1               |                     |                              |         |