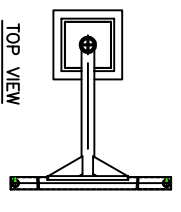
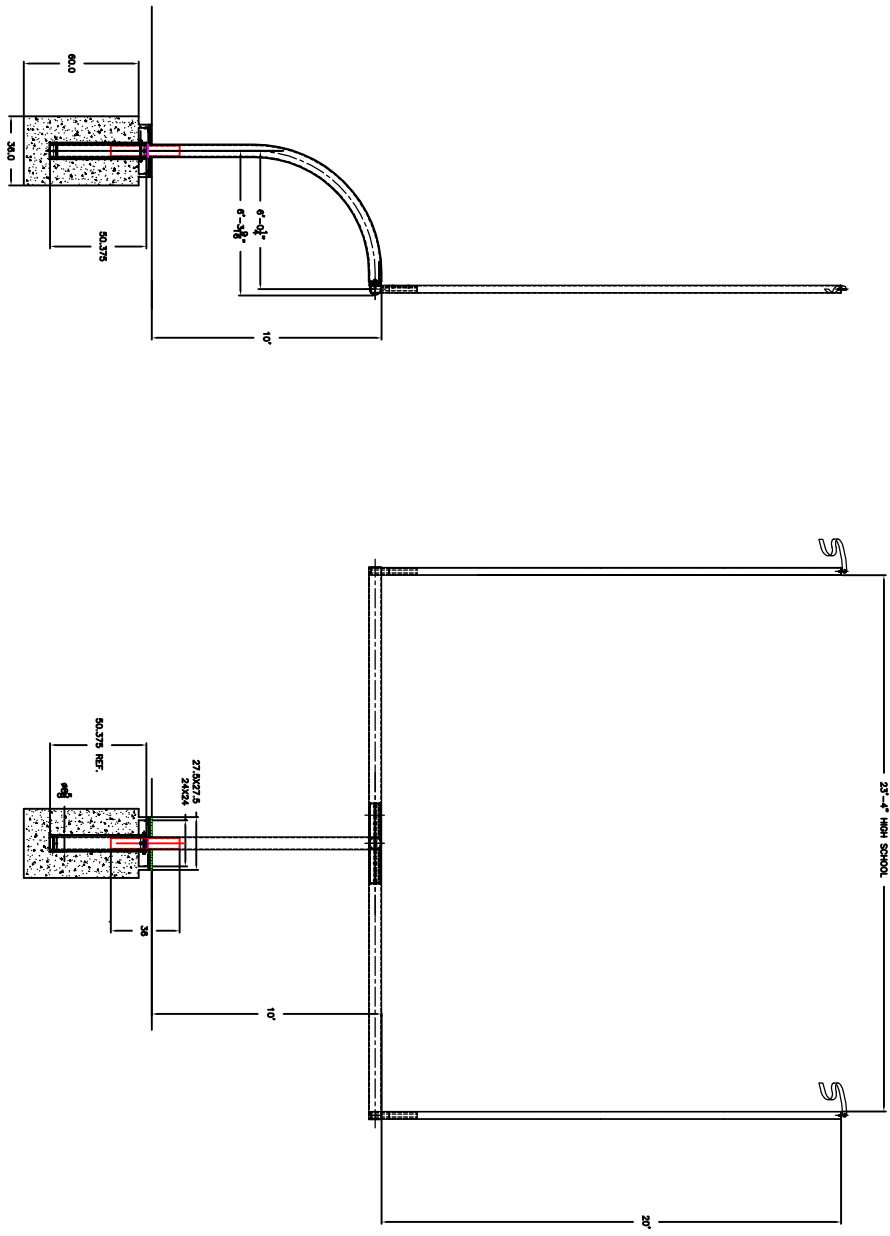


ZONE	NO.	DESCRIPTION	DATE	APPROVED
8				
7				

NOTES:  
 1. WHEN INSTALLING CROSS BAR TAPPED HOLES FOR HARDWARE TO BE AT BACK OF GOAL POST



REVISION	NO.	DESCRIPTION	DATE	APPROVED
8	A	CHANGED 51.625 TO 50.375 & 52.38 TO 51.125	7-9-07	

This drawing contains information proprietary to UCS Inc., any reproduction disclosure or use of this drawing is EXPRESSLY PROHIBITED unless agreed in writing by UCS Inc.



800-526-4856 www.ucssport.com

UNLESS OTHERWISE SPECIFIED		JOB NO.	
DIMENSIONS ARE IN INCHES		APPROVALS	
1 PLACE ±.009	2 PLACES ±.011	3 PLACES ±.010	DATE
TOLERANCES		ENGINEER	DATE
MATERIAL:		CHECKED	DATE
PROTECTIVE FINISH:		CHECKED	DATE
TITLE		SHEET	
GOAL POST ASSEMBLY		FILE	
OFFSET OF HIGH SCHOOL		DWG NO.	
GROUND SLAB		751-1140	
SCALE		SHEET	
NONE		1 OF 1	