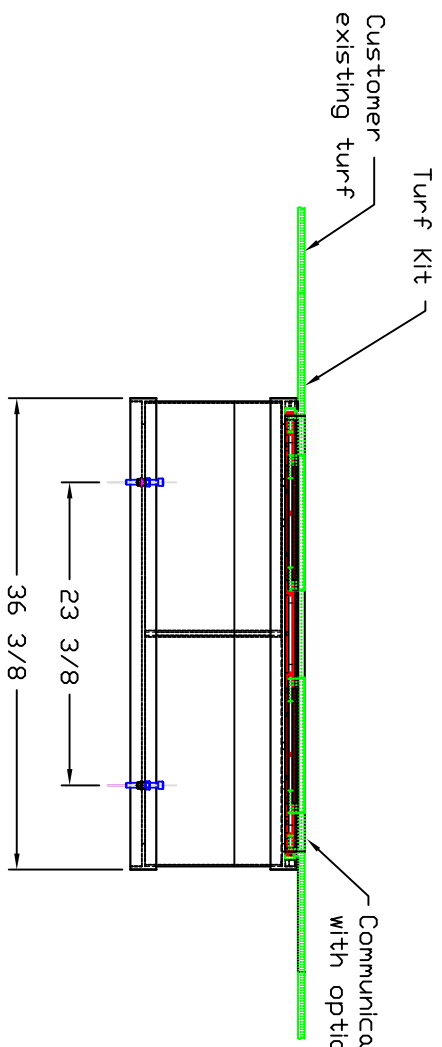
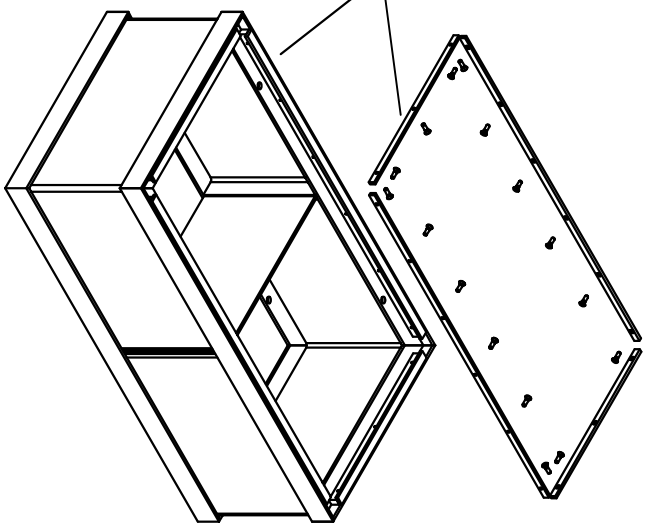
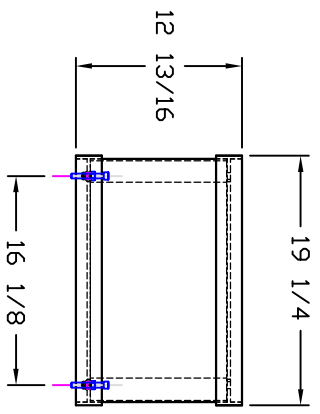


Access Cover with synthetic turf

Turf Kit with turf clamp and fasteners



Communication Box Top with optional synthetic turf



712-1250 Communication Box



800-526-4856

www.ucsspirit.com

UNLESS OTHERWISE SPECIFIED		CONTRACT NO.		UCSS 511 HOFFMAN RD.	
DIMENSIONS ARE IN INCHES				LINCOLNTON, N.C. 28092	
DECIMAL TO ±.03	ANGULAR TO ± 1/2°	APPROVALS	DATE	TITLE	
3 PLACES ±.010		DRAWN D. Keaton	11-4-07	SYNTHETIC / NATURAL TURF COMMUNICATION BOX	
MATERIAL:		ENGINEER		SIZE	FILE
		CHECKED		DWG NO.	712-1250
PROTECTIVE FINISH:				SCALE	1 OF 1
				REV.	