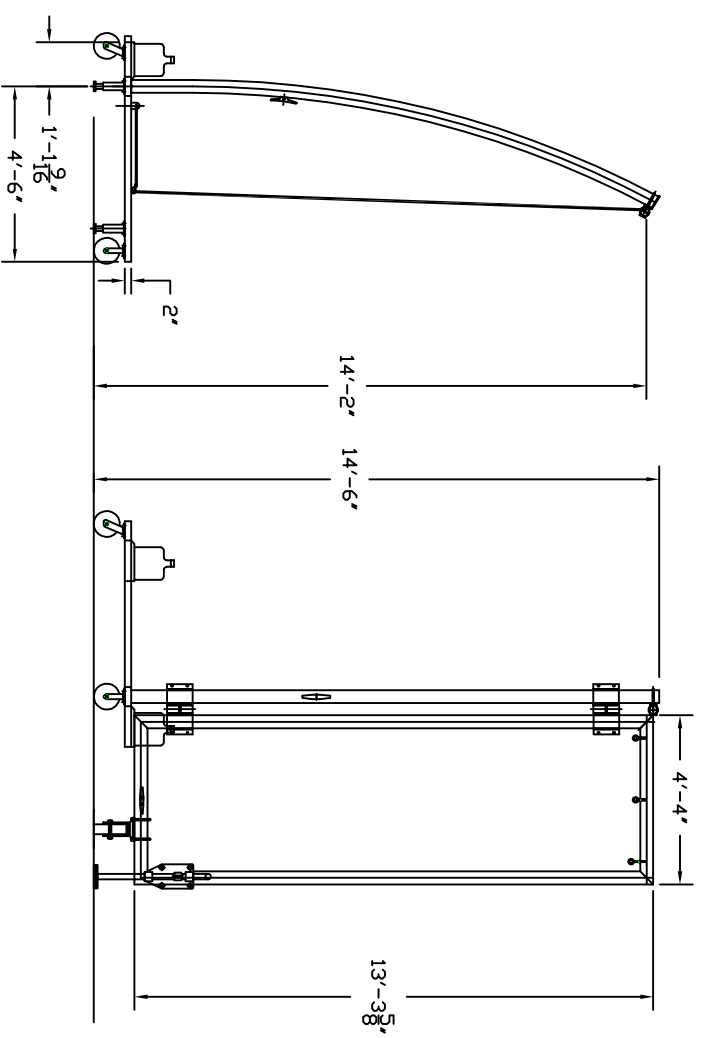
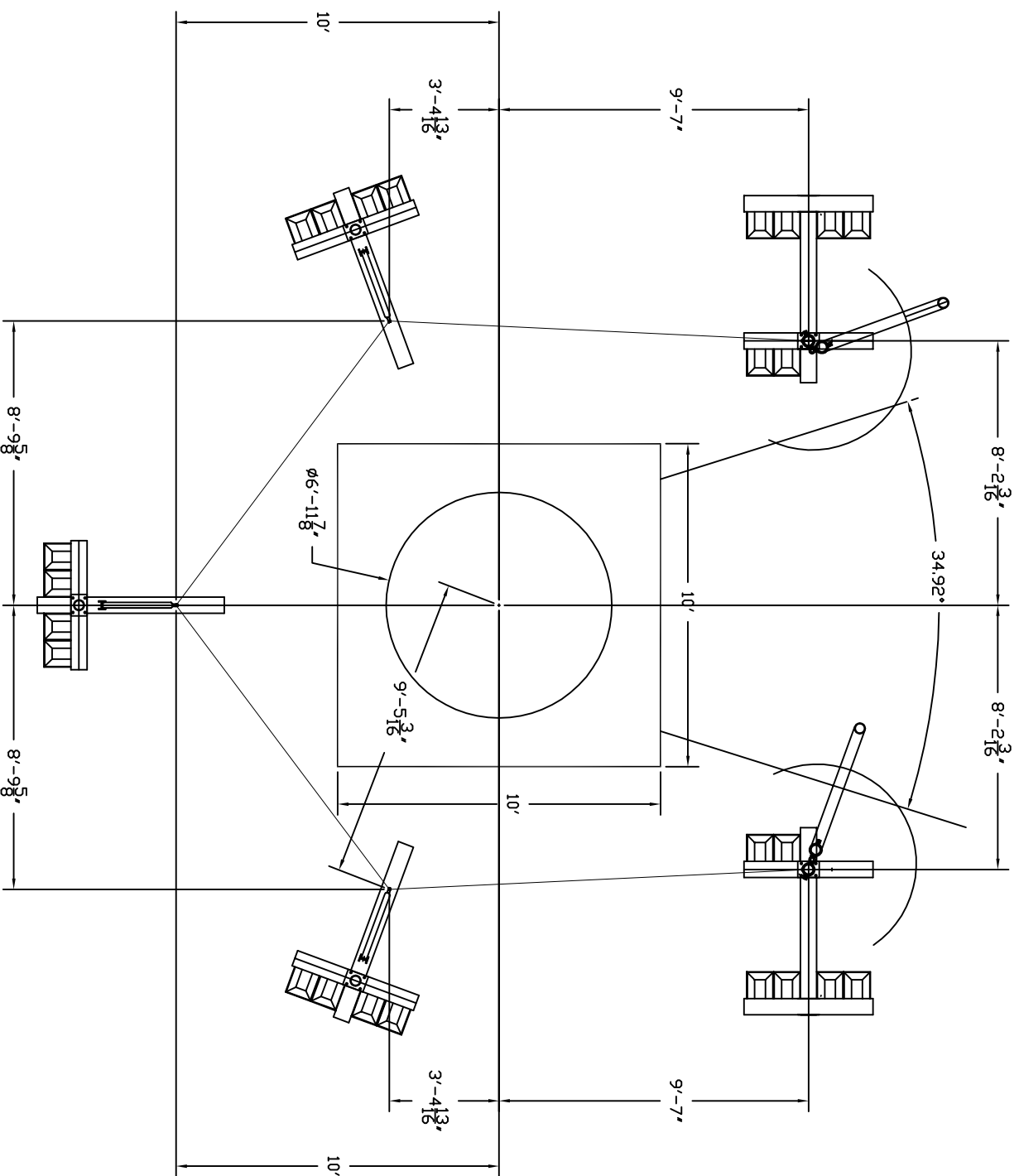
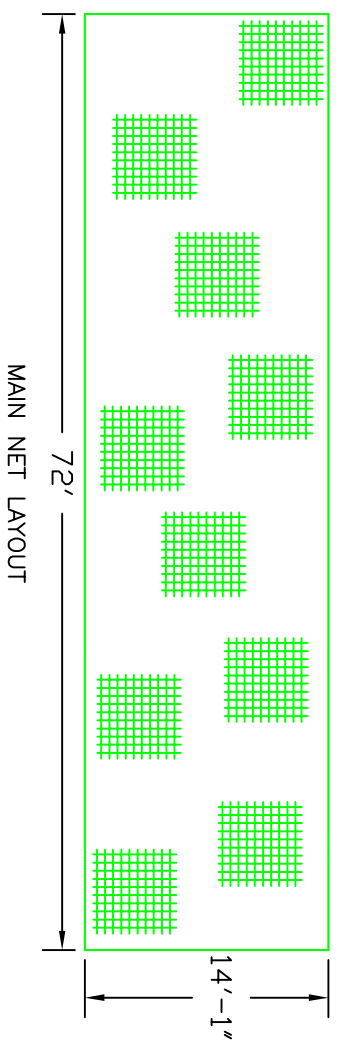


THIS PRODUCT DRAWING NOT TO BE USED FOR ASSEMBLY AND INSTALLATION



This drawing contains information proprietary to UCS Inc., any reproduction disclosure or use of this drawing is EXPRESSLY PROHIBITED unless agreed in writing by UCS Inc.

<b>UCS</b>		800-526-4856		www.ucsspirit.com	
UNLESS OTHERWISE SPECIFIED: DIMENSIONS ARE IN INCHES FRACTIONAL TOL. ANGULAR TOL.		CONTRACT NO.		511 HOFFMAN RD. LINCOLNTON, N.C. 28092	
± 1/4"	± 0.5°	APPROVALS	DATE	TITLE	DWG. NO.
		DRAWN: D. Keaton	4-18-08	570-6500R NCAA CAGE FOR WEIGHT THROW PORTABLE	570-6500R
MATERIAL		ENGINEER		SIZE CAGE CODE	ASSEMBLY DRAWING
		CHECKED		SCALE	R
					SHEET 1 OF 1