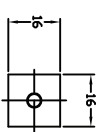
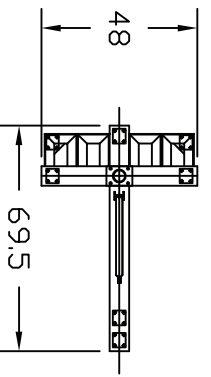
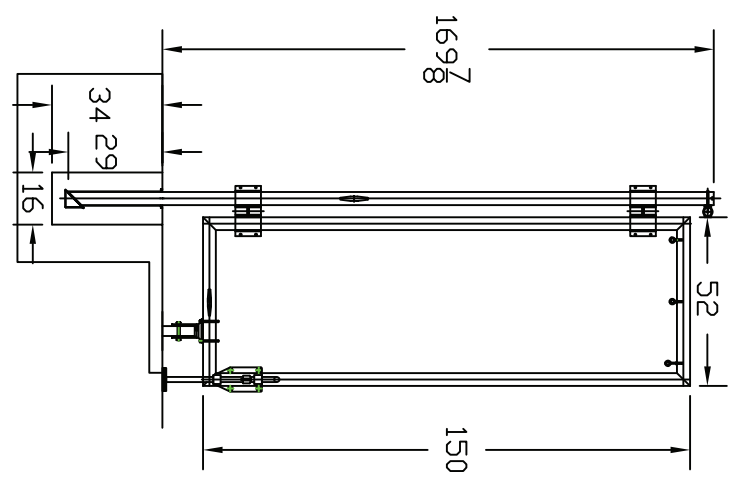
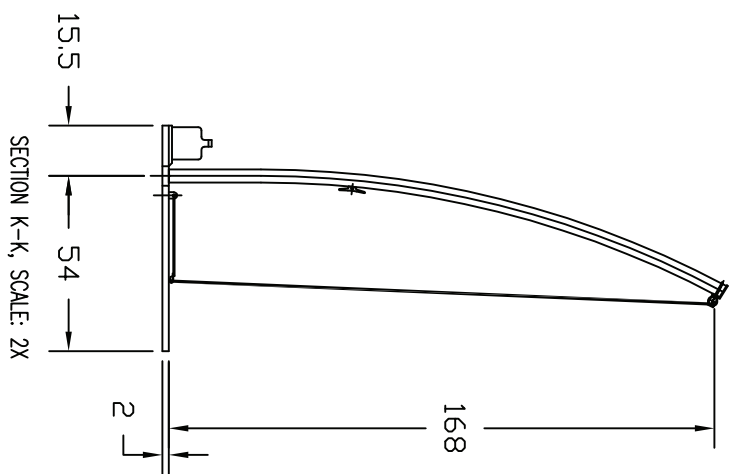
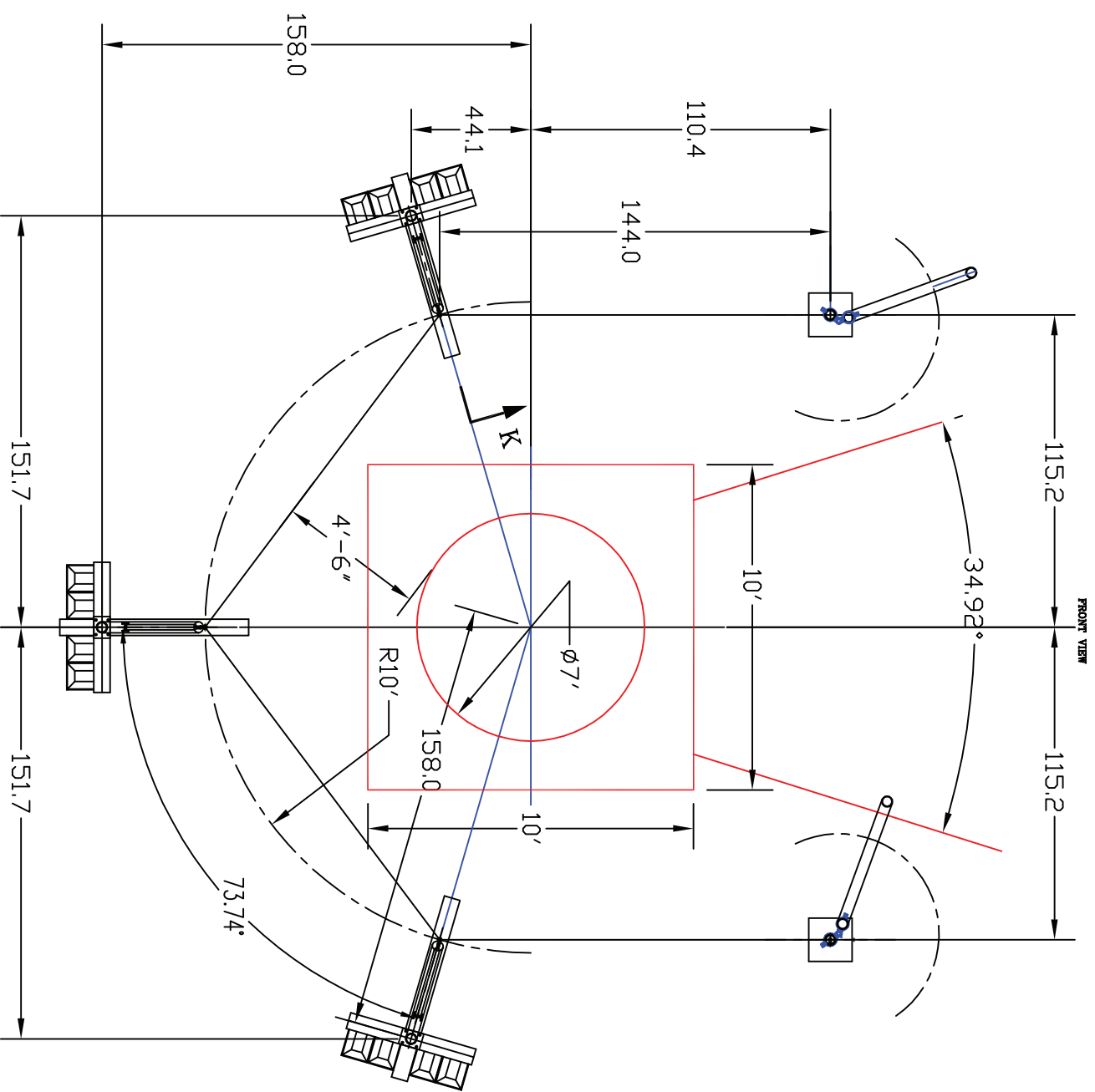


GROUND SLEEVE DETAIL



This drawing contains information proprietary to UCS Inc., any reproduction disclosure or use of this drawing is EXPRESSLY PROHIBITED unless agreed in writing by UCS Inc.

<b>UCS</b>		800-526-4856		www.ucsspirit.com	
UNLESS OTHERWISE SPECIFIED		CONTRACT NO.		511 HOFFMAN RD.	
DIMENSIONS ARE IN INCHES		DATE		LINCOLN, N.C. 28092	
FRACTIONAL TOL. ANGULAR TOL.		APPROVALS		TITLE	
± 1/4 ± 0.5°		DRAWN		INDOOR CAGE FOR WEIGHT THROW	
		CHECKED		WITH GROUND SLEEVES	
		ENGINEER		DWG. NO.	
		CHECKED		570-6100R ASSEMBLY DRAWING	
		SCALE: 1/1"		SHEET 1 OF 1	