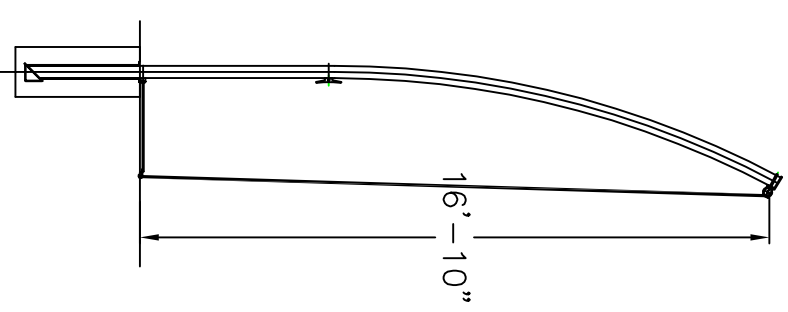
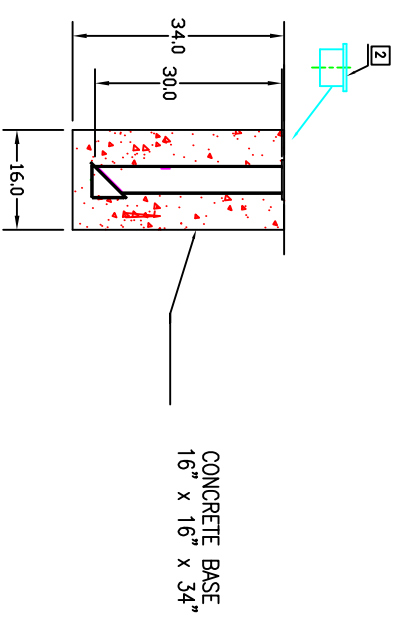
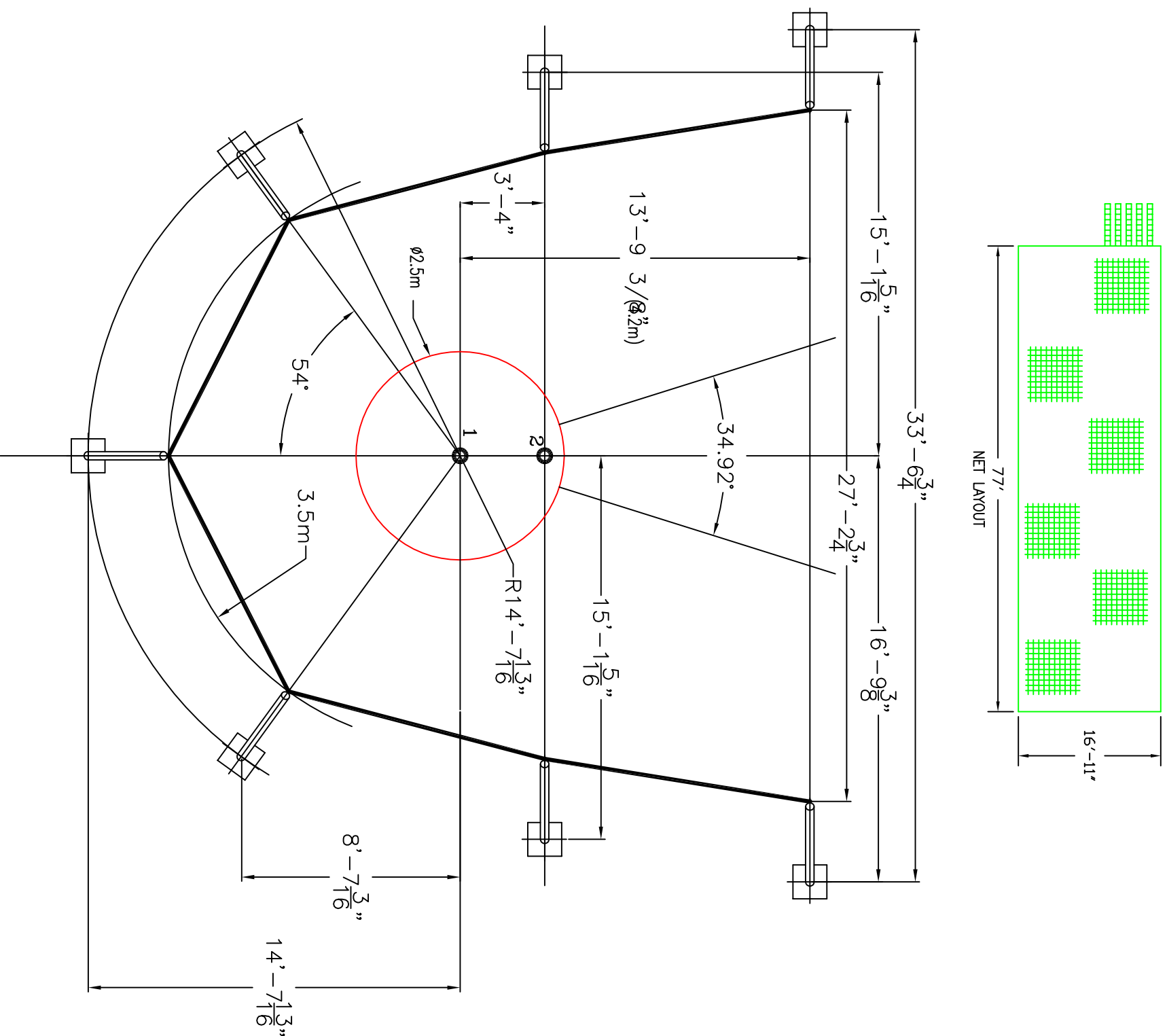



THIS PRODUCT DRAWING NOT TO BE USED FOR ASSEMBLY AND INSTALLATION



This drawing contains information proprietary to UCS Inc., any reproduction disclosure or use of this drawing is EXPRESSLY PROHIBITED unless agreed in writing by UCS Inc.

| | | | |
|---|--|---|--|
|  | | 800-526-4856 www.ucsspit.com | |
| UNLESS OTHERWISE SPECIFIED | | | |
| DIMENSIONS ARE IN INCHES UNLESS NOTED | | | |
| DECIMAL TOL. ± 0.005 ANGULAR TOL. ± 0.5° | | | |
| 3 PLACES ± 0.005 | | | |
| MATERIAL ALUMINUM | | | |
| CONTRACT NO. | | DATE | |
| APPROVALS DRAWN: MANGELAY CHECKED: [Signature] ENGINEER: [Signature] | | TITLE NCAA CAGE FOR DISCUS WITH GROUND SLEEVES | |
| SCALE 1/8" = 1'-0" | | DWG. NO. 570-0600R REV. R | |
| SHEET 1 OF 1 | | 511 HOFFMAN RD. LINCOLN, N.C. 28092 | |