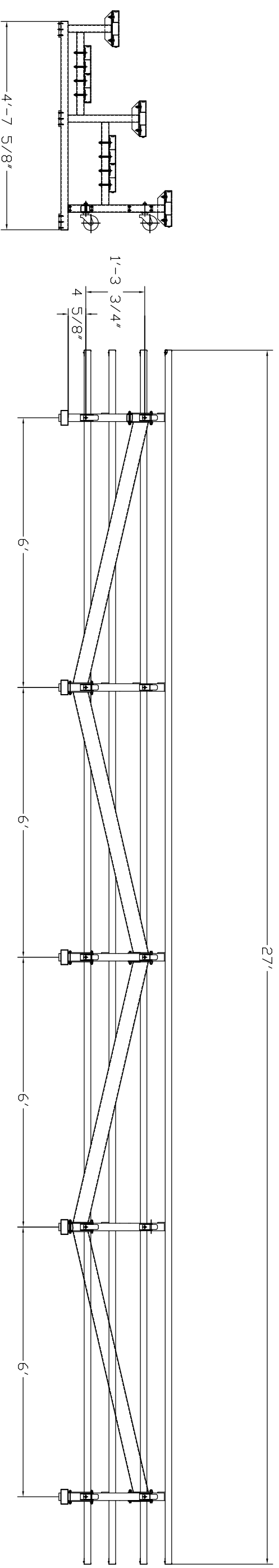


This drawing contains information proprietary to UCS Inc., any reproduction disclosure or use of this drawing is EXPRESSLY PROHIBITED unless agreed in writing by UCS Inc.

REV	DESCRIPTION	DATE	APPROVED



UNLESS OTHERWISE SPECIFIED DIMENSIONS ARE IN INCHES		CONTRACT NO.	
DECIMAL TOL: 2 PLACES ±.03	ANGULAR TOL: ± 1/2°	APPROVALS	DATE
3 PLACES ±.010		DRAWN D. Keaton	11-18-06
MATL: ALUMINUM		CHECKED	
PROTECTIVE FINISH:		CHECKED	
		TITLE	
511 HOFFMAN RD. LINCOLNTON, N.C. 28092		BLEACHER TILT & ROLL SERIES 3 ROWS 27' LONG	
SIZE	FILE	DWG NO.	REV.
SCALE NONE		525-7327	-

8 7 6 5 4 3 2 1

A

A

B

B

C

C

D

D