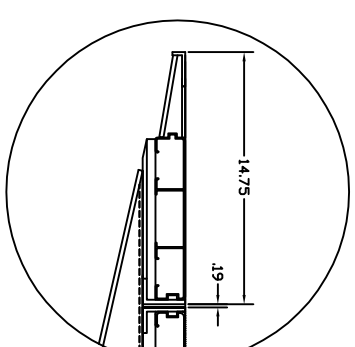
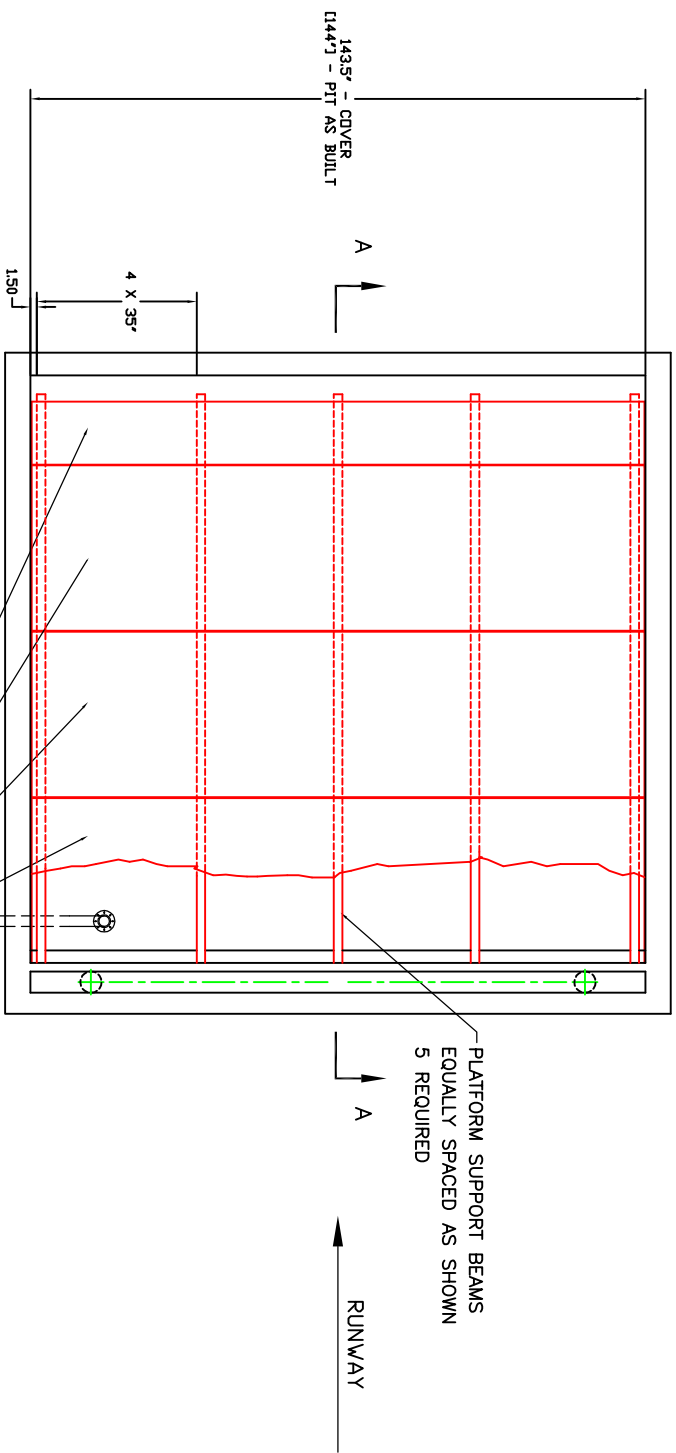
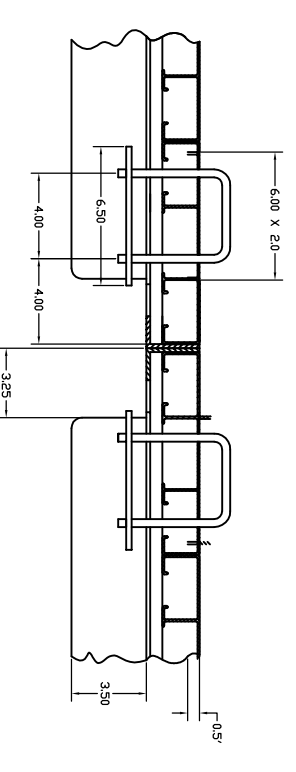


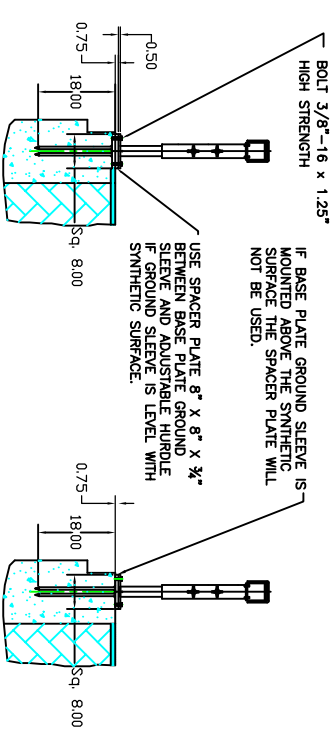
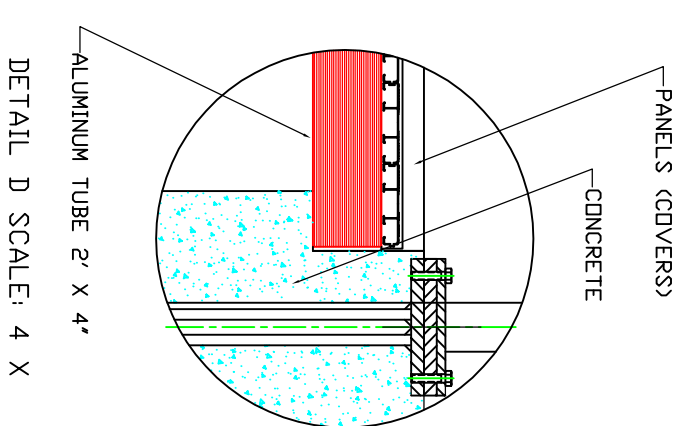
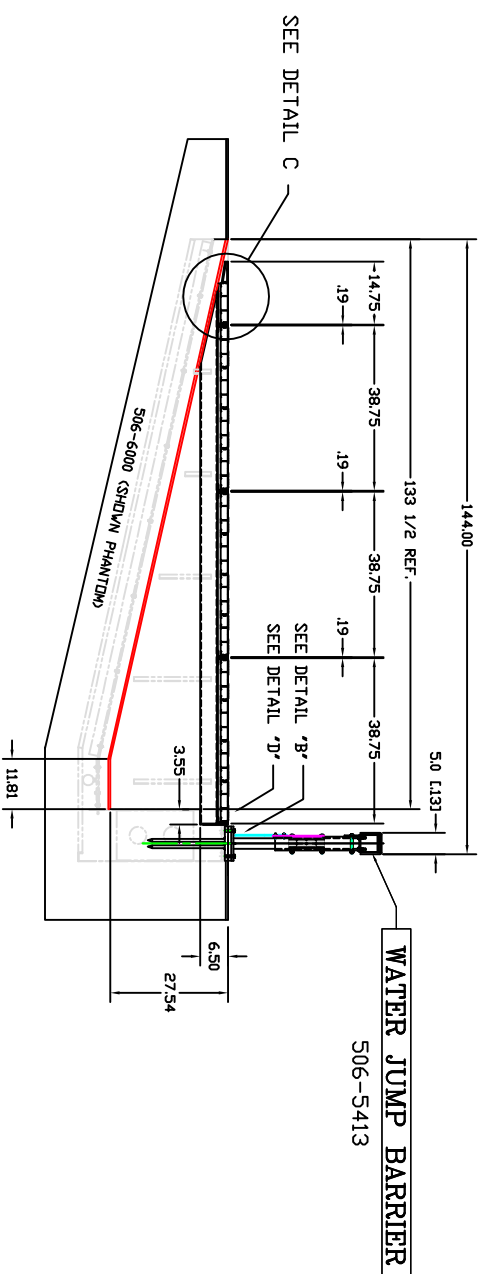
REV	DESCRIPTION	DATE	APPROVED



DETAIL C SCALE: 4X



SCALE: 5X



WEIGHT: ONE - COMPLETED UNIT  
POUNDS: 560

SECTION A-A  
SIDE VIEW

ASSEMBLED

DIMENSIONS IN [...] ARE PER CUSTOMER MEASUREMENTS IN FIELD (AS BUILT)

REVISION	REV STATUS
1	SHEET

**UCSS** 800-526-4856 www.ucsspirit.com

5111 HOFFMAN RD. LINCOLNTON, N.C. 28092

UNLESS OTHERWISE SPECIFIED	APPROVALS	DATE	TITLE
DIMENSIONS ARE IN METERS	DRAWN BY: [Signature]		WATER JUMP PIT COVER
DECIMAL TOL: ANGULAR TOL:	CHECKED BY: [Signature]		NON RECESSED
3 PLACES ±.010 ± 1/2	ENGINEER		
MATL	CHECKED		

REVISION	REV STATUS	SIZE	FILE	DWG NO.
1	SHEET	D		506-5421