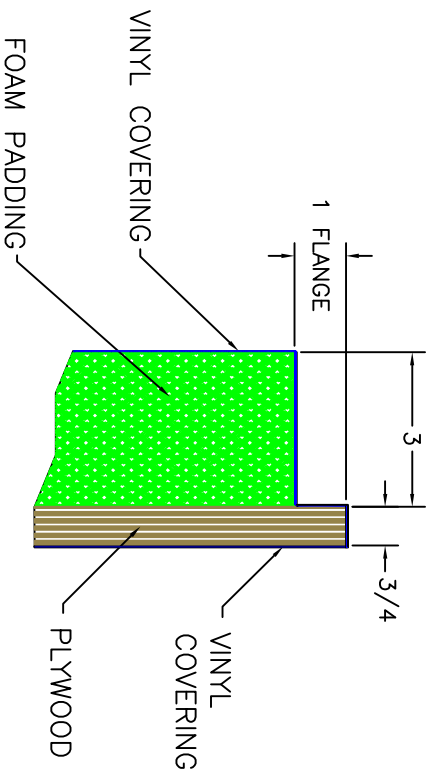
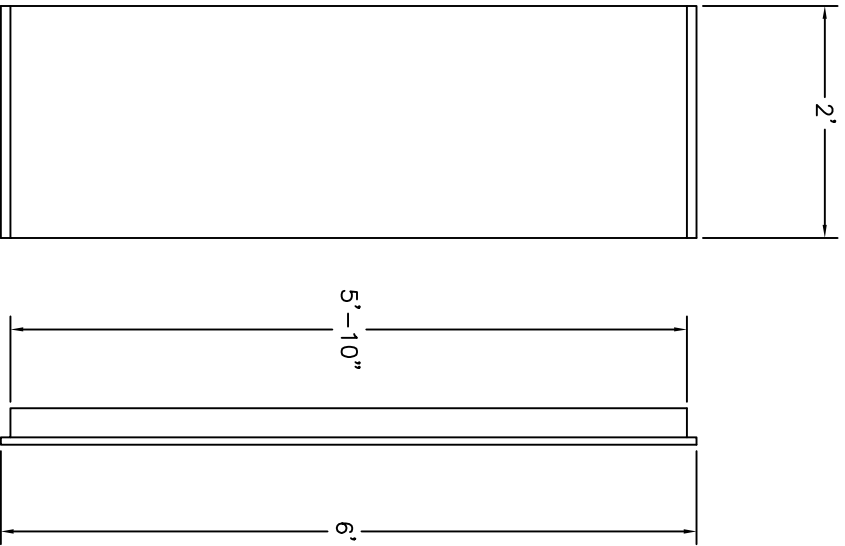


OUTDOOR STADIUM PROTECTION PANELS

| PART NO. | SIZE |
|----------|---------|
| 266-14 | 1' x 4' |
| 266-15 | 1' x 5' |
| 266-16 | 1' x 6' |
| 266-18 | 1' x 8' |
| 266-24 | 2' x 4' |
| 266-25 | 2' x 5' |
| 266-26 | 2' x 6' |
| 266-28 | 2' x 8' |
| 266-46 | 4' x 6' |
| 266-48 | 4' x 8' |

*CUSTOM SIZE PADS AVAILABLE
 **CUSTOM CUT-OUTS CAN BE MADE
 ACCORDING TO ACTUAL NEEDS
 PADS CAN BE MADE
 WITHOUT 1" FLANGE



**CONSTRUCTION &
 FLANGE DETAIL**

This drawing contains information proprietary to UCS Inc., any reproduction disclosure or use of this drawing is EXPRESSLY PROHIBITED unless agreed in writing by UCS Inc.

SCALE 1:1.5

EXAMPLE 2' X 6' PAD
 MODEL 266-26

| | | | | | |
|----------------------------|---------------------|------------------|---------|--|------------|
| UNLESS OTHERWISE SPECIFIED | | JOB NO. | | UCS 511 HOFFMAN RD. LINCOLNTON N.C. 28092 | |
| LINEAR TOL: ±.010 | ANGULAR TOL: ± 1/2° | APPROVALS | DATE | TITLE | REV. |
| 1 PLACES ±.010 | | DRAWN: D. Keaton | 8-24-07 | OUTDOOR STADIUM PROTECTION PANELS | |
| 3 PLACES ±.010 | | CHECKED | | | |
| MATERIAL: | | ENGINEER | | FILE | DWG NO. |
| PROTECTIVE FINISH: | | CHECKED | | D | 266 Series |
| | | SCALE | NONE | SHEET 1 OF 1 | |

| ZONE | REV | DESCRIPTION | DATE | APPROVED |
|------|-----|-------------|------|----------|
| | | | | |